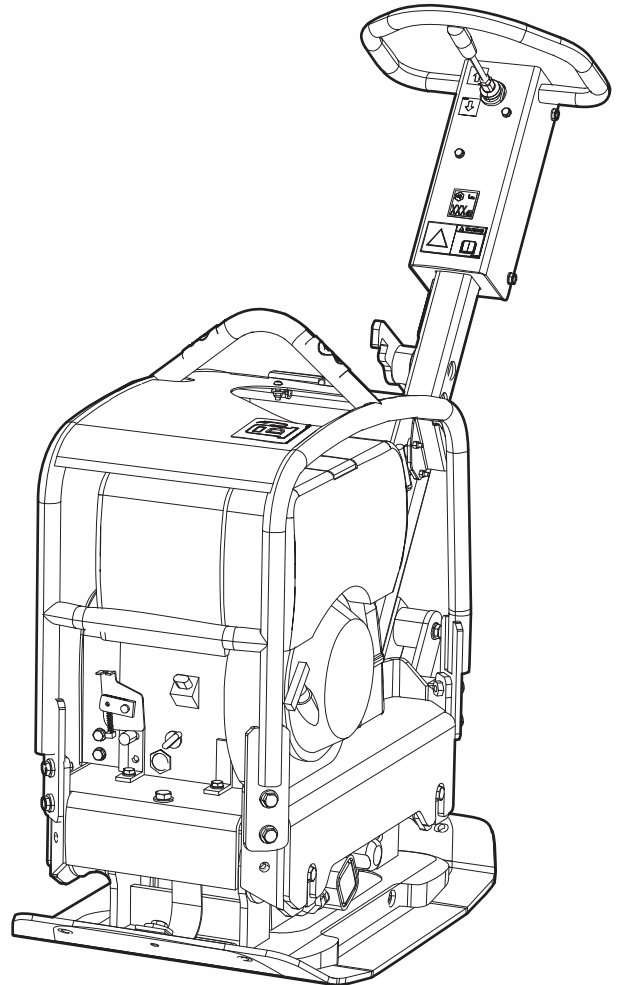


Spare parts list

Forward and reversible plate

	Valid from serial number
LG 160 Hatz 450 mm (17.72 in.)	16003001
LG 160 Honda 450 mm (17.72 in.)	16003001
LG 160 Hatz 330 mm (12.99 in.)	16003001
LG 160 Honda 330 mm (12.99 in.)	16003001
LG 160 Hatz 450 mm (17.72 in.) Bio	16003001
LG 160 Honda 450 mm (17.72 in.) Bio	16003001
LG 160 Hatz 330 mm (12.99 in.) Bio	16003001
LG 160 Honda 330 mm (12.99 in.) Bio	16003001
LG 160 Hatz 450 mm (17.72 in.)	BGF000001
LG 160 Honda 450 mm (17.72 in.)	BGF000001
LG 160 Hatz 330 mm (12.99 in.)	BGF000001
LG 160 Honda 330 mm (12.99 in.)	BGF000001
LG 160 Hatz 450 mm (17.72 in.) Bio	BGF000001
LG 160 Honda 450 mm (17.72 in.) Bio	BGF000001
LG 160 Hatz 330 mm (12.99 in.) Bio	BGF000001
LG 160 Honda 330 mm (12.99 in.) Bio	BGF000001
LG 160 Hatz 450 mm (17.72 in.) EPA	BGF000001



Contents

General information.....	5
Spare parts list.....	6
Frame and engine plate.....	6
Ground plate and eccentric element installation.....	8
Block paving plate 330 mm (13 in.).....	10
Block paving plate 450 mm (17.7 in.).....	12
Transport device.....	14
Eccentric element.....	16
Engine installation, Honda.....	18
Engine, Honda GX 160 UT2 SXS4 OH.....	20
Engine installation, Hatz.....	24
Engine, Hatz 1B20 manual start.....	26
Engine, Hatz 1B20 manual start, EPA version.....	30
Fuel tank, Hatz 1B20.....	34
Centrifugal clutch, Honda.....	36
Centrifugal clutch, Hatz.....	38
Belt tightener.....	40
Hydraulic system.....	42
Handle.....	46
Labels.....	48
Kits.....	50
Shock absorber repair kit.....	51
Eccentric element repair kit.....	51
Forward and reverse piston repair kit.....	52
Block paving plate kit 330 mm (12.9 in.).....	52
Block paving plate kit 450 mm (17.7 in.).....	53
Transport device kit.....	54

General information

This spare parts list applies to the following:

Part number	Description
3382 0000 12	Forward and reversing plate LG 160 Hatz 450 mm (17.72 in.)
3382 0000 14	Forward and reversing plate LG 160 Honda 450 mm (17.72 in.)
3382 0000 13	Forward and reversing plate LG 160 Hatz 330 mm (12.99 in.)
3382 0000 15	Forward and reversing plate LG 160 Honda 330 mm (12.99 in.)
3382 0000 18	Forward and reversing plate LG 160 Hatz 450 mm (17.72 in.) Bio
3382 0000 17	Forward and reversing plate LG 160 Honda 450 mm (17.72 in.) Bio
3382 0000 20	Forward and reversing plate LG 160 Hatz 330 mm (12.99 in.) Bio
3382 0000 19	Forward and reversing plate LG 160 Honda 330 mm (12.99 in.) Bio
3382 0002 76	Forward and reversing plate LG 160 Hatz 450 mm (17.72 in.) EPA

Use only authorized parts. Any damage or malfunction caused by the use of unauthorized parts is not covered by Warranty or Product Liability. Any unauthorized use or copying of the contents or any part thereof is prohibited. This applies in particular to trademarks, model denominations, part numbers, and drawings.

Instructions for use

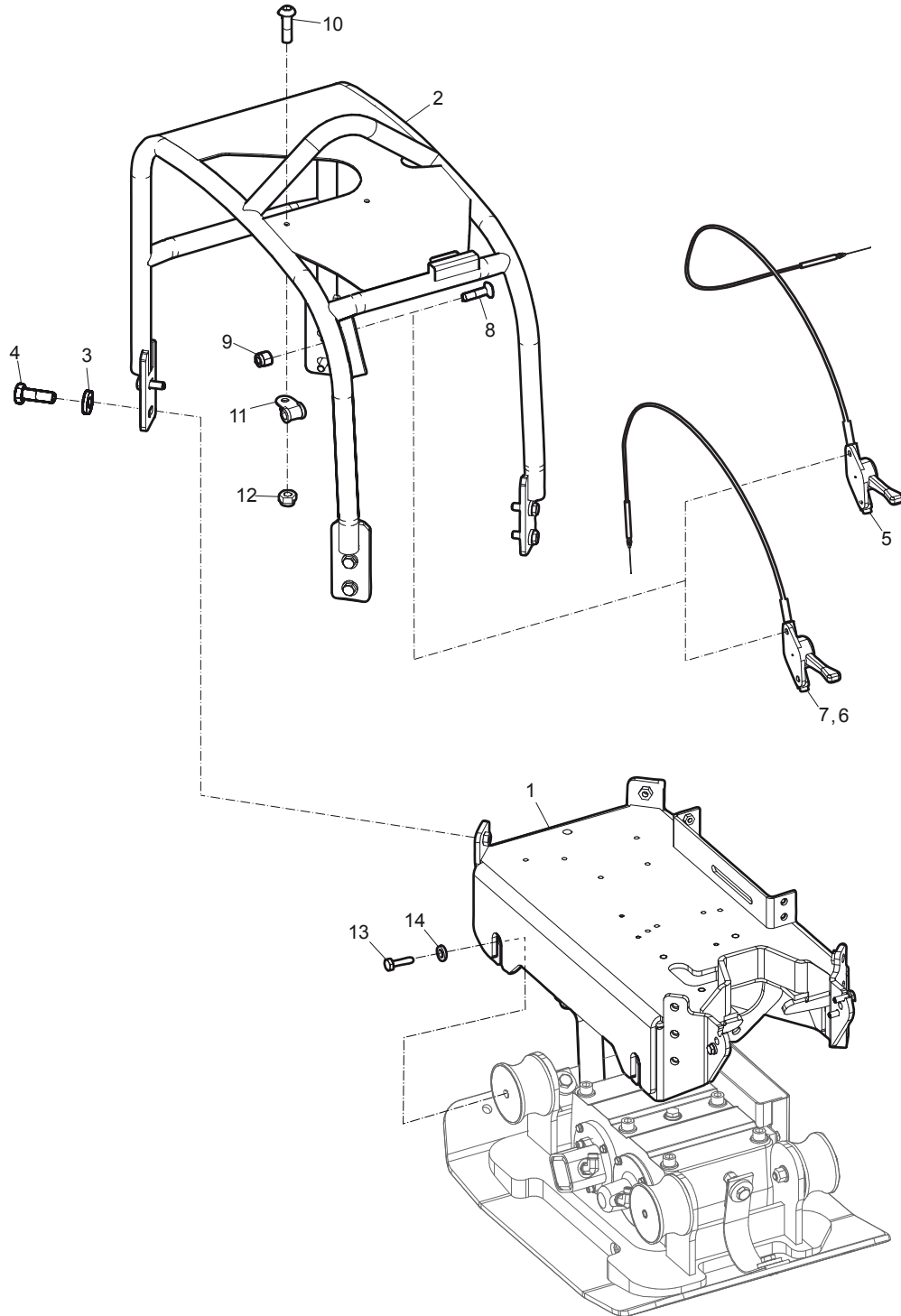
This spare parts list contains no safety regulations and is merely intended to assist in the ordering of spare parts.

For information about operating, servicing, or repairing, the relevant Safety and operating instructions must be consulted at all costs.

Please observe the safety instructions listed in the relevant Safety and operating instructions!

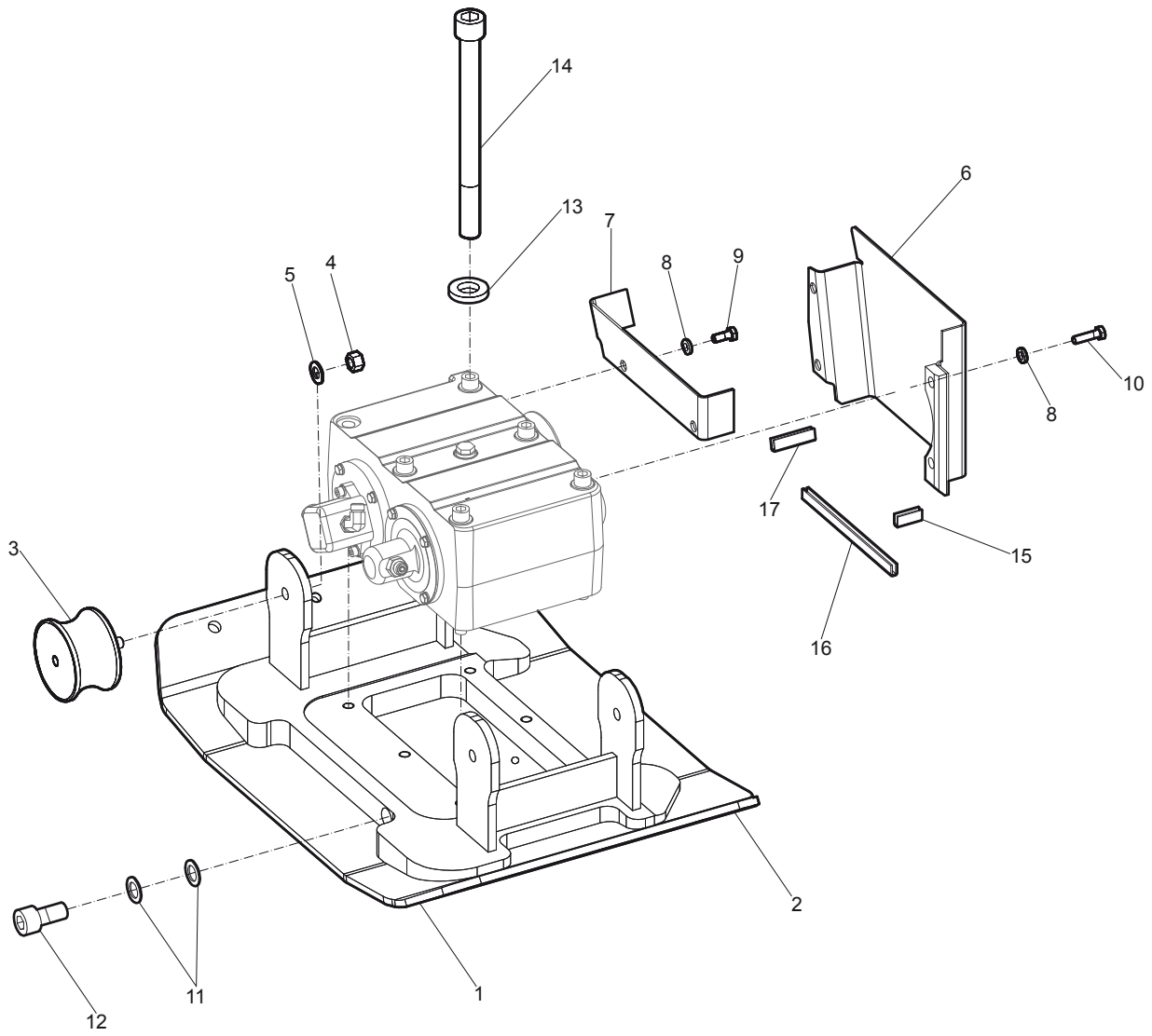
Spare parts list

Frame and engine plate



No.	Description	Remark	Quantity	Part number
1	Engine plate		1	3382 0100 75
2	Protective frame		1	3382 0100 65
3	Washer	10.5 x 22 x 4 mm 0.41 x 0.87 x 0.16 in. 300 HV	8	-
4	Screw	M10 x 30 mm 8.8 A3K	8	-
5	Throttle control, complete	Honda	1	4700 3905 15
6	Throttle control, complete	Hatz EPA version with three fixed positions	1	3382 0121 32
7	Throttle control, complete	Hatz Non EPA version	1	4700 3923 86
8	Screw	M5 x 18 mm 8.8 A2K	2	-
9	Lock nut	M5 ISO7040	2	-
10	Screw	M6 x 20 mm A2-70	1	-
11	Clamp		1	4700 9210 65
12	Lock nut	M6	1	-
13	Screw	M10 x 20 mm 8.8 A3K	4	-
14	Washer	10.5 x 22 x 4 mm 0.41 x 0.87 x 0.16 in. 300 HV	4	-

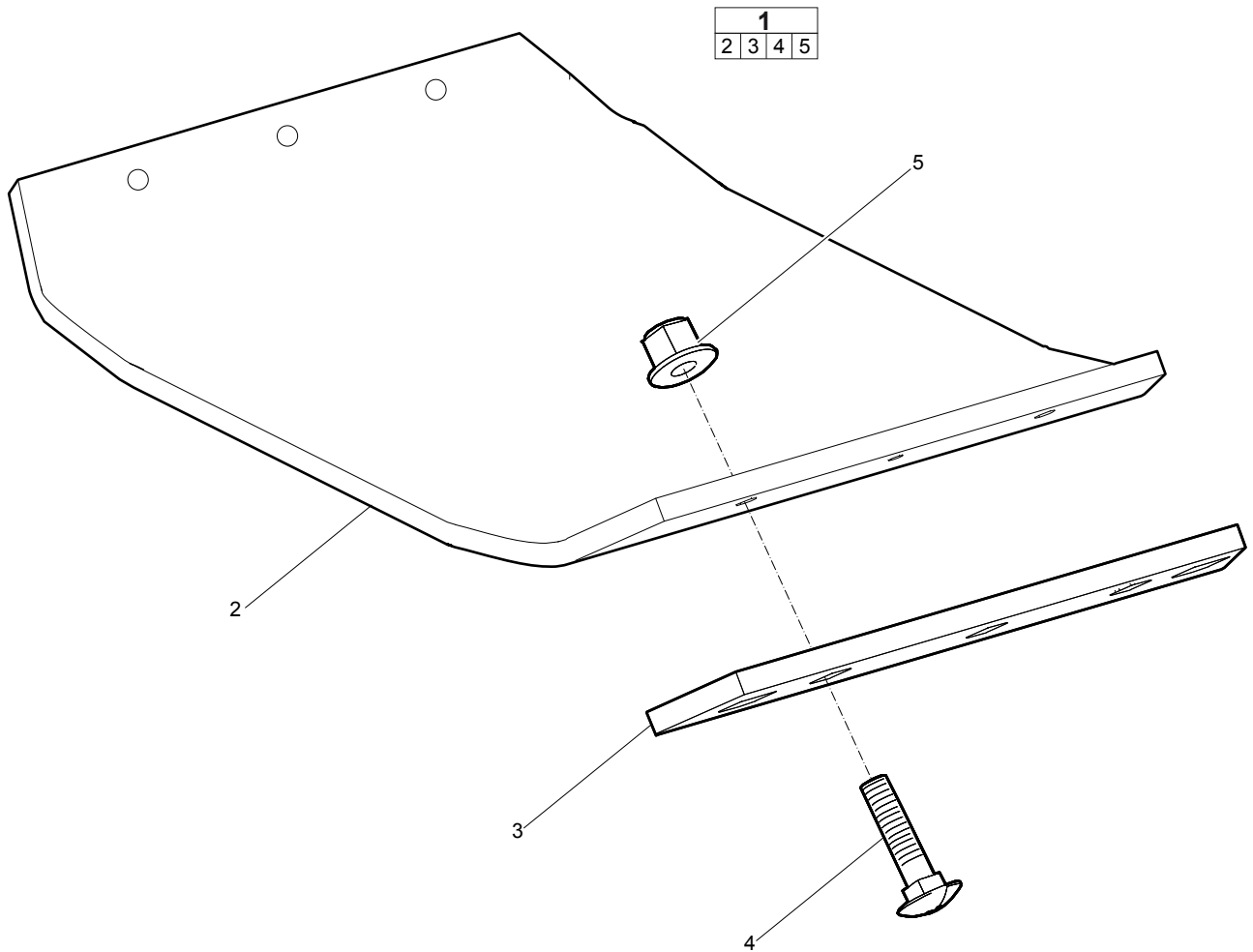
Ground plate and eccentric element installation



No.	Description	Remark	Quantity	Part number
1	Ground plate	Width 330 mm 13 in.	1	4700 3938 38
2	Ground plate	Width 450 mm 17.7 in.	1	4700 3918 95
3	Shock absorber		4	4700 3902 36
4	Nut	M12 A3K	4	-
5	Washer	13 x 24 x 2 mm 0.51 x 0.98 x 0.08 in. 300 HV	4	-
6	V-belt cover		1	4700 3795 81
7	Protection		1	4700 3904 33
8	Washer	8.4 x 16 x 3 mm 0.33 x 0.63 x 0.12 in. 300 HV	6	-
9	Screw	M8 x 20 mm 8.8 A2K	4	-
10	Screw	M8 x 30 mm	2	-
11	Washer	10 x 16 x 1 mm 0.39 x 0.63 x 0.04 in.	2	4700 7475 41
12	Screw	M10 x 20 mm	1	4700 5080 28
13	Washer	13 x 24 x 6 mm 0.51 x 0.95 x 0.16 in. 300 HV	6	4700 9047 03
14	Screw	M12 x 140 mm 12.9 GEOMET®	6	4700 9294 49
15	Edge trim	Length 50 mm 1.97 in.	1	4700 2020 28
16	Edge trim	Length 50 mm 1.97 in.	1	4700 2020 28
17	Edge trim	Length 50 mm 1.97 in.	1	4700 2020 28

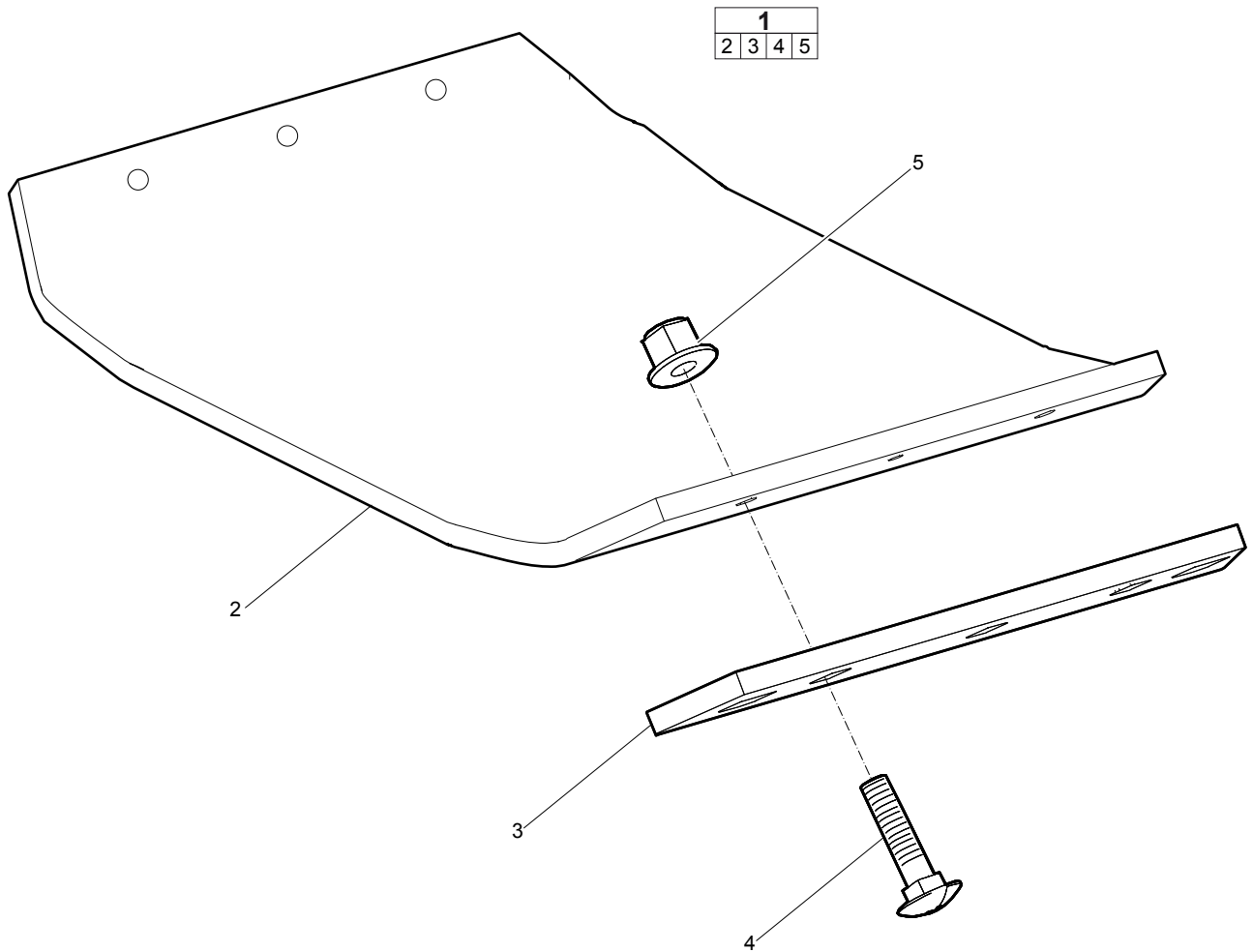
GEOMET is a registered trademark of Nof Metal Coatings North America Inc.

Block paving plate 330 mm (13 in.)



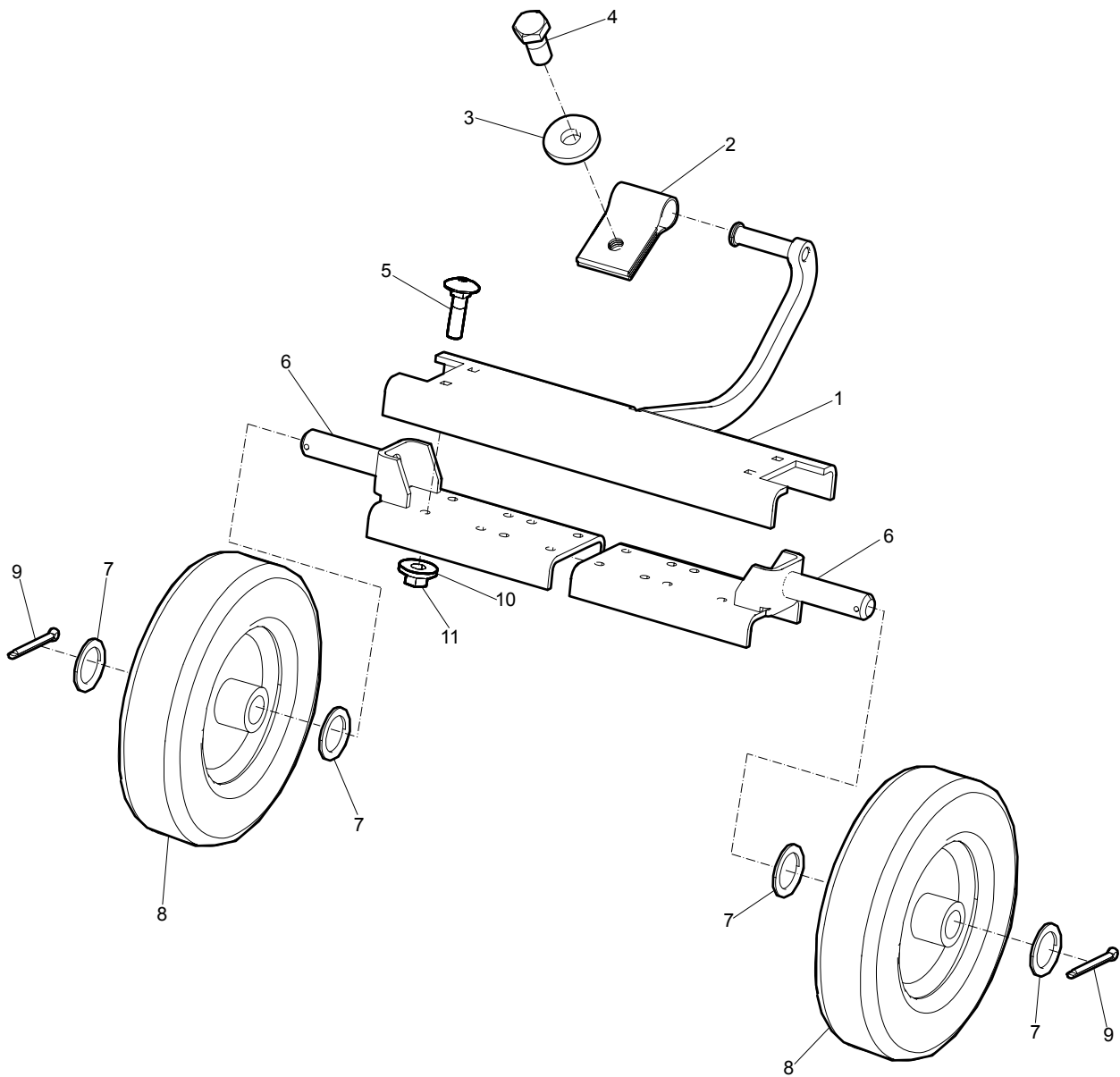
No.	Description	Remark	Quantity	Part number
1(2-5)	Block paving plate kit		1	4700 3944 61
2	Polyurethane plate	330 mm 13 in.	1	4700 3912 10
3	Bracket		2	4700 3944 70
4	Carriage screw	M10 x 45 mm 4.6 A3K	4	-
5	Nut	M10 x 1.5 mm A3K	4	-

Block paving plate 450 mm (17.7 in.)



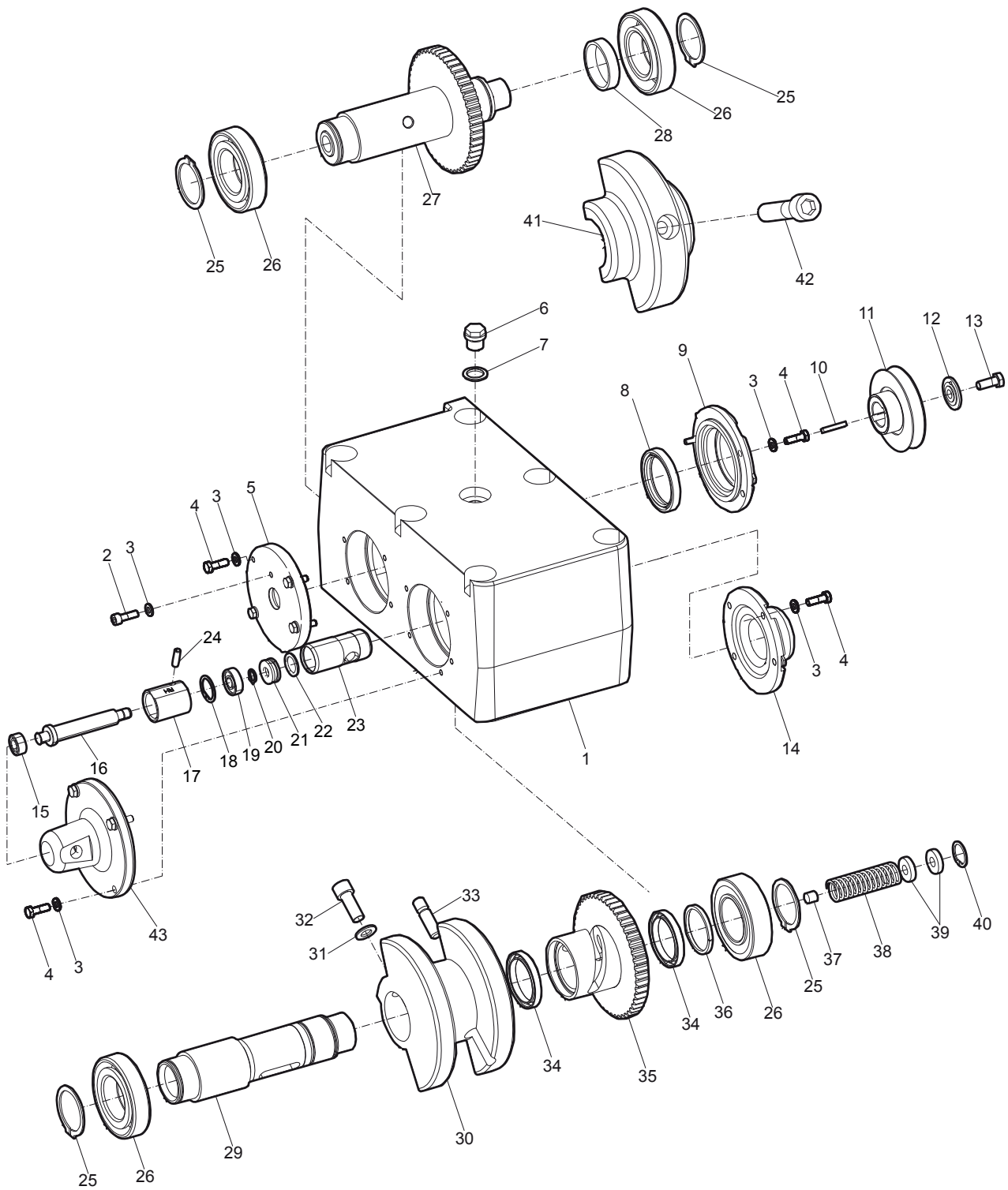
No.	Description	Remark	Quantity	Part number
1(2-5)	Block paving plate kit		1	4700 3944 63
2	Polyurethane plate	450 mm 17.7 in.	1	4700 2808 92
3	Bracket		2	4700 3819 54
4	Carriage screw	M10 x 45 mm 4.6 A3K	4	-
5	Nut	M10 x 1.5 mm A3K	4	-

Transport device



No.	Description	Remark	Quantity	Part number
1	Transport device		1	4700 3949 33
2	Strap		1	4700 2804 17
3	Washer	13 x 36 x 6 mm 0.51 x 1.42 x 0.24 in. 300 HV	1	-
4	Screw	M12 x 25 mm 8.8 A3K	1	-
5	Screw	M8 x 30 mm 8.8	4	-
6	Wheel bracket		2	4700 3949 85
7	Washer		4	4700 2710 32
8	Wheel		2	4700 3835 98
9	Split pin	4 x 40 mm 0.16 x 1.57 in.	2	4700 6300 15
10	Washer	8.4 x 22 x 3 mm 0.33 x 0.87 x 0.12 in. 300 HV	4	-
11	Nut	M8 A2K	4	-

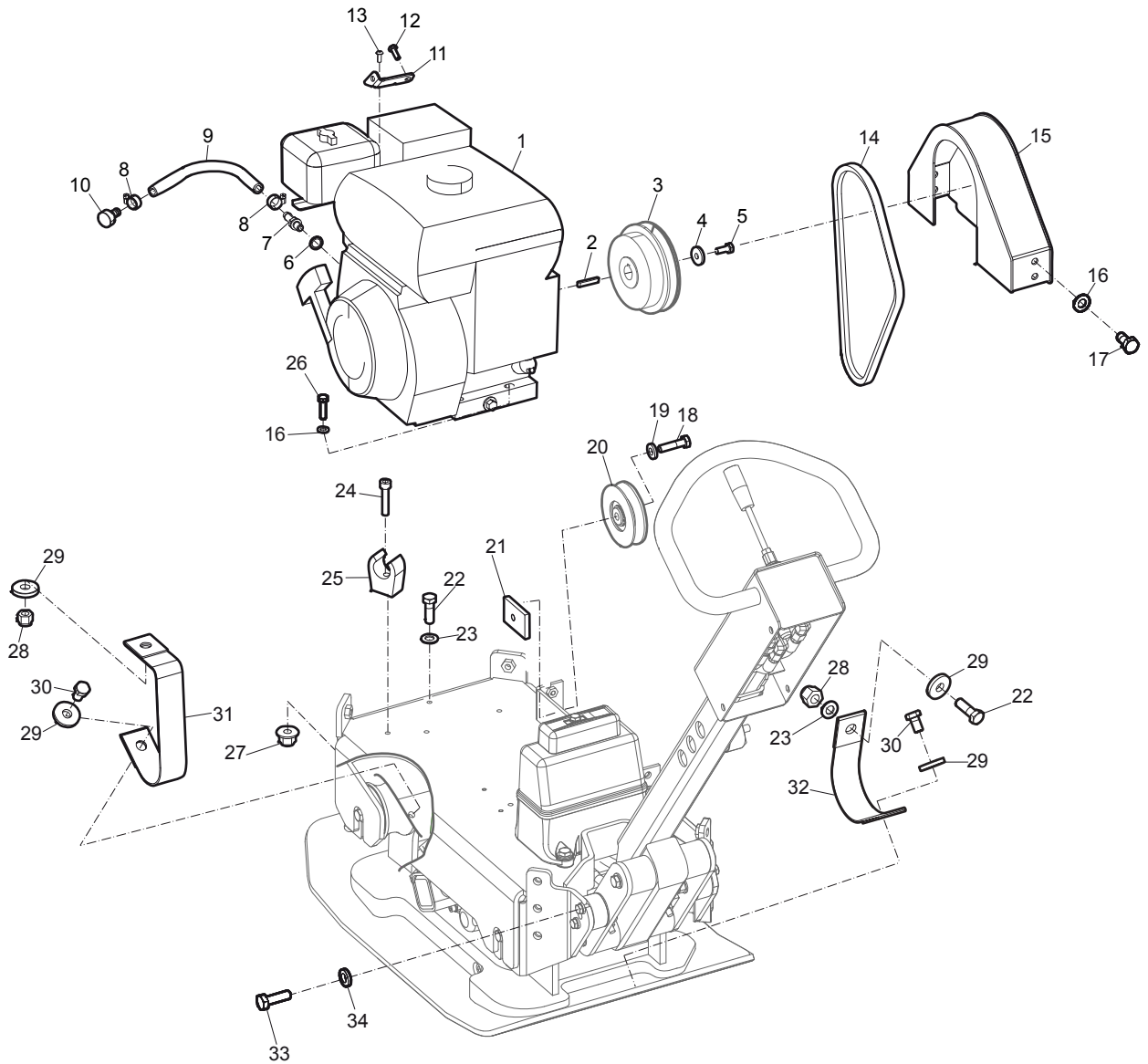
Eccentric element



No.	Description	Remark	Quantity	Part number
1	Eccentric housing		1	4700 3900 91
2	Screw	M6 x 20 mm 8.8 A2K	2	-
3	Washer	6.4 x 12 x 1.5 mm 0.25 x 0.47 x 0.06 in. 300 HV	18	-
4	Screw	M6 x 20 mm 8.8 A2K	16	-
5	Cover		1	4700 3791 68
6	Plug		1	4700 2321 43
7	Washer, sealing		1	4700 1620 11
8	Seal ring		1	4700 9287 94
9	Cover		1	4700 3791 67
10	Key		1	4700 3500 29
11	Pulley		1	4700 3904 46
12	Washer		1	4700 2806 54
13	Screw	M10 x 25 mm 8.8 A3K	1	-
14	Cover		1	4812 0700 55
15	Sealing		1	4700 2812 76
16	Piston rod		1	4812 0700 51
17	Cap		1	4812 0700 97
18	Retainer ring		1	4700 1510 39
19	Ball bearing		1	4812 0703 59
20	Retainer ring		1	4700 1500 02
21	Ball bearing		1	4812 0703 62
22	Spring washer		1	4812 0703 63
23	Piston		1	4812 0700 53
24	Spring pin		1	4700 6290 62
25	Retainer ring		4	4700 1500 17
26	Ball bearing		4	4700 9033 63
27	Shaft		1	4700 3794 88
28	Spacer		1	4700 2806 45
29	Eccentric shaft		1	4812 0700 54
30	Eccentric		1	4700 2806 33
31	Washer	13 x 24 x 2 mm 0.51 x 0.98 x 0.08 in. 300 HV	1	-
32	Screw	M12 x 30 mm 10.9 GEOMET®	1	4700 7927 23
33	Pin		1	4700 2806 44
34	Ball bearing		2	4700 9292 87
35	Gear wheel		1	4812 0706 90
36	Spacer		1	4700 2806 46
37	Screw	M10 x 12 mm	1	4700 9282 41
38	Spring		1	4700 2806 77
39	Washer		2	4700 2806 48
40	Retainer ring		1	4700 1510 07
41	Eccentric		1	4700 2806 32
42	Screw	M12 x 60 mm 10.9 GEOMET®	1	4700 7927 24
43	Cylinder		1	4812 0700 50

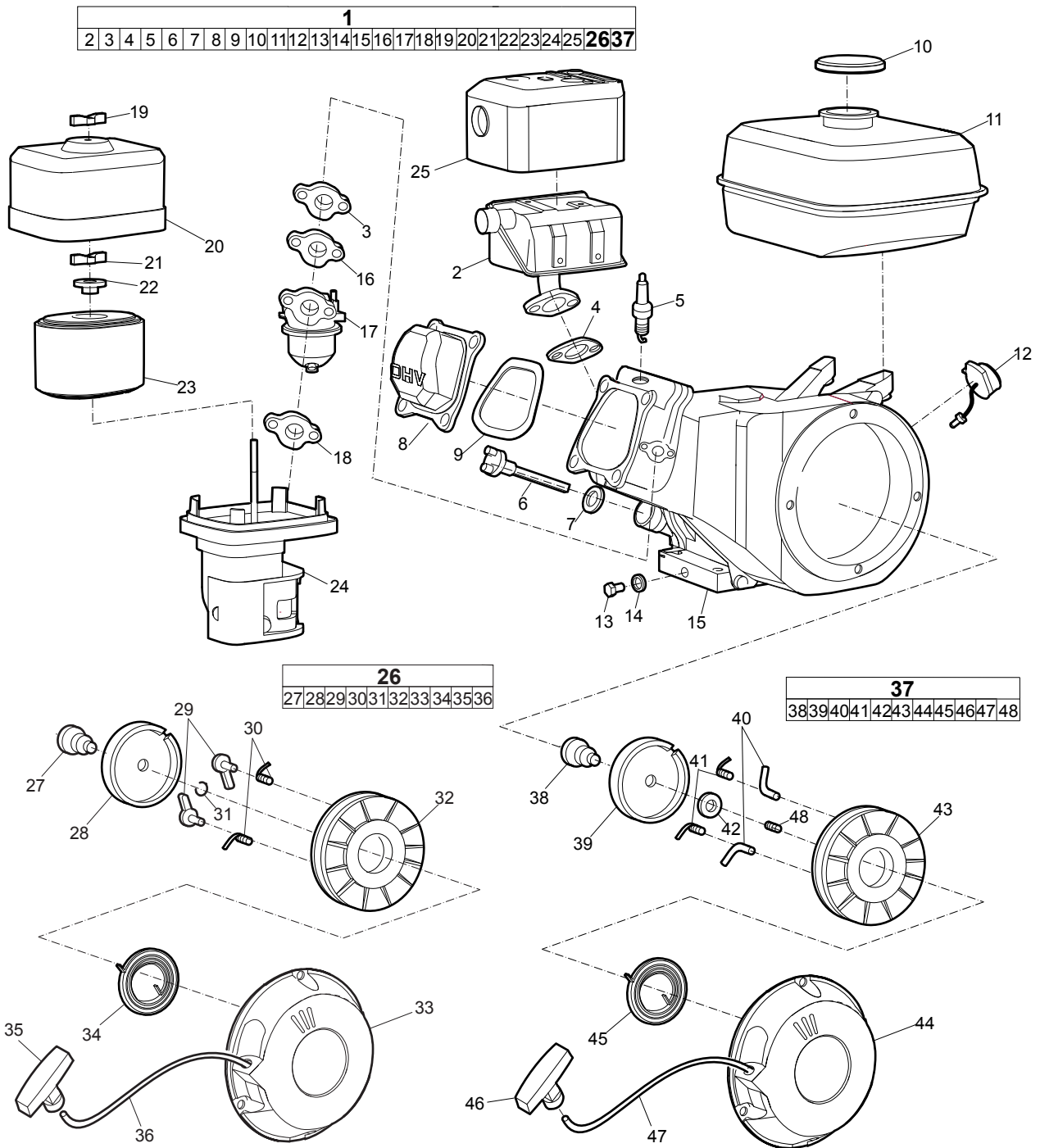
GEOMET is a registered trademark of Nof Metal Coatings North America Inc.

Engine installation, Honda



No.	Description	Remark	Quantity	Part number
1	Engine	Honda GX160UT2 SXS4	1	4700 2811 25
2	Key	Supplied with engine	1	-
3	Clutch		1	4700 3944 22
4	Washer	8.4 x 26 x 4 mm 0.33 x 1.02 x 0.16 in. 300 HV	1	-
5	Screw	M8 x 20 mm 8.8 A2K	1	-
6	Washer	10 x 14 x 1 mm 0.39 x 0.55 x 0.04 in.	1	-
7	Hose connection		1	4812 0703 74
8	Hose clamp		2	4700 3130 01
9	Rubber hose		1	3382 0101 86
10	Plug		1	3382 0101 80
11	Bracket		1	3382 0114 16
12	Screw	M6 x 16 mm 8.8 A2K	1	-
13	Screw	M5 x 12 mm 10.9 FZB	1	-
14	V-belt		1	4700 2813 45
15	Belt guard		1	3382 0100 74
16	Washer	8.4 x 16 x 1.5 mm 0.33 x 0.63 x 0.06 in. 300 HV	8	-
17	Screw	M8 x 16 mm 8.8 A2K	4	-
18	Screw	M10 x 40 mm 8.8 A3K	1	-
19	Washer	10.5 x 22 x 4 mm 0.41 x 0.87 x 0.16 in. 300 HV	1	-
20	Belt tightner		1	-
21	Bracket		1	4700 3904 16
22	Screw	M12 x 35 mm 8.8 A3K	2	-
23	Washer	13 x 24 x 2 mm 0.51 x 0.98 x 0.08 in. 300 HV	2	-
24	Screw	M5 x 25 mm 8.8 A2K	1	-
25	Ryw-clip		1	4700 2812 34
26	Screw	M8 x 30 mm	4	-
27	Nut	M5 A2K	1	-
28	Lock nut	M12	2	-
29	Washer	13 x 36 x 6 mm 0.51 x 1.42 x 0.24 in. 300 HV	4	-
30	Screw	M12 x 20 mm 8.8 A3K	1	-
31	Strap		1	3382 0100 21
32	Strap		1	3382 0100 77
33	Screw	M8 x 25 mm 8.8 A2K	4	-
34	Washer	8.4 x 16 x 3 mm 0.33 x 0.63 x 0.12 in. 300 HV	4	-

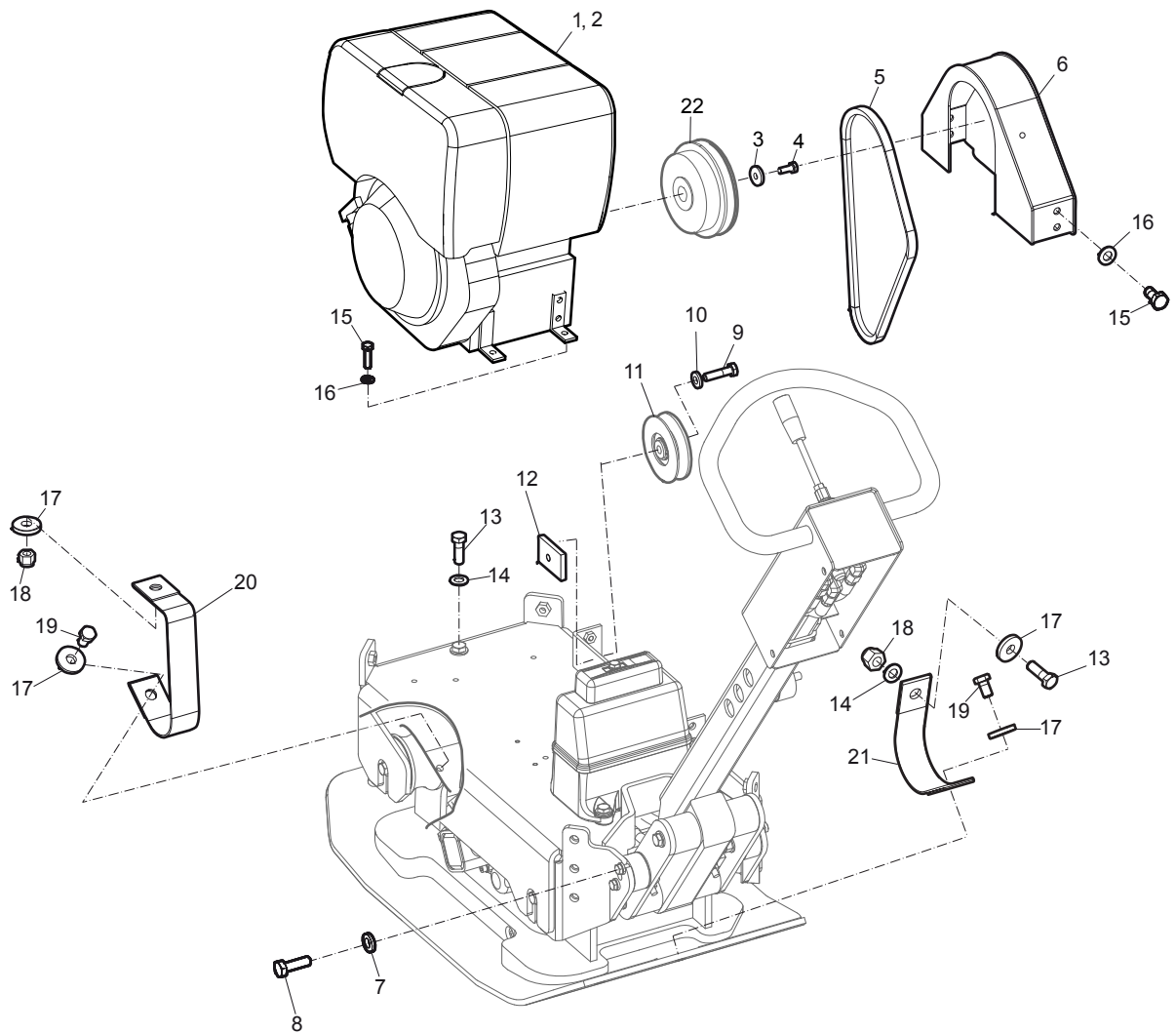
Engine, Honda GX 160 UT2 SXS4 OH



No.	Description	Remark	Quantity	Part number
1(2-25,26,37)	Engine, complete		1	4700 2811 25
2	Silencer		1	3382 1001 63
3	Gasket		1	3382 1001 68
4	Gasket		1	4700 2390 63
5	Spark plug		1	3382 1001 67
6	Oil dip stick		1	3382 1001 65
7	Gasket		1	3382 1001 66
8	Valve cover		1	4700 9379 17
9	Valve cover gasket		1	4700 2383 01
10	Fuel cap		1	3382 1001 74
11	Fuel tank		1	3382 1001 73
12	Engine switch		1	3382 1001 72
13	Oil plug		1	4700 2383 02
14	Gasket		1	4700 2383 03
15	Engine part		1	-
16	Gasket		1	4700 9370 49
17	Carburetor		1	3382 1001 64
18	Spacer		1	4700 9396 59
19	Wing nut		1	4700 2397 71
20	Air filter cover		1	4700 2396 85
21	Wing nut		1	4700 2397 71
22	Grommet		1	4700 2397 72
23	Airfilter	Delivered with outer and inner filter.	1	4700 2393 23
24	Air filter housing		1	4700 9382 30
25	Silencer cover		1	4700 2390 60
26(27-36)	Recoil starter, complete	Valid up to engine serial number 1411005. Red	1	4700 2390 65
27	Adjustment screw		1	4700 2393 81
28	Guide		1	4700 2393 80
29	Ratchet	Valid up to engine serial number 1411005.	2	4700 2393 78
30	Spring		2	4700 2393 77
31	Friction spring	Valid up to engine serial number 1411005.	1	4700 2393 79
32	Reel		1	4700 2393 76
33	Housing		1	-
34	Spring		1	4700 2393 75
35	Handle		1	4700 2393 91
36	Rope		1	4700 2393 74
37(38-48)	Recoil starter, complete	Valid from engine serial number 1411006. Black	1	3382 1001 76
38	Adjustment screw	Valid from engine serial number 1411006.	1	3382 1001 77
39	Guide		1	4700 2393 80
40	Ratchet	Valid from engine serial number 1411006.	2	3382 1001 69
41	Spring		2	4700 2393 77
42	Washer	Valid from engine serial number 1411006.	1	3382 1001 70
43	Reel	Valid from engine serial number 1411006.	1	3382 1001 71
44	Housing		1	-
45	Spring		1	4700 2393 75
46	Handle		1	4700 2393 91

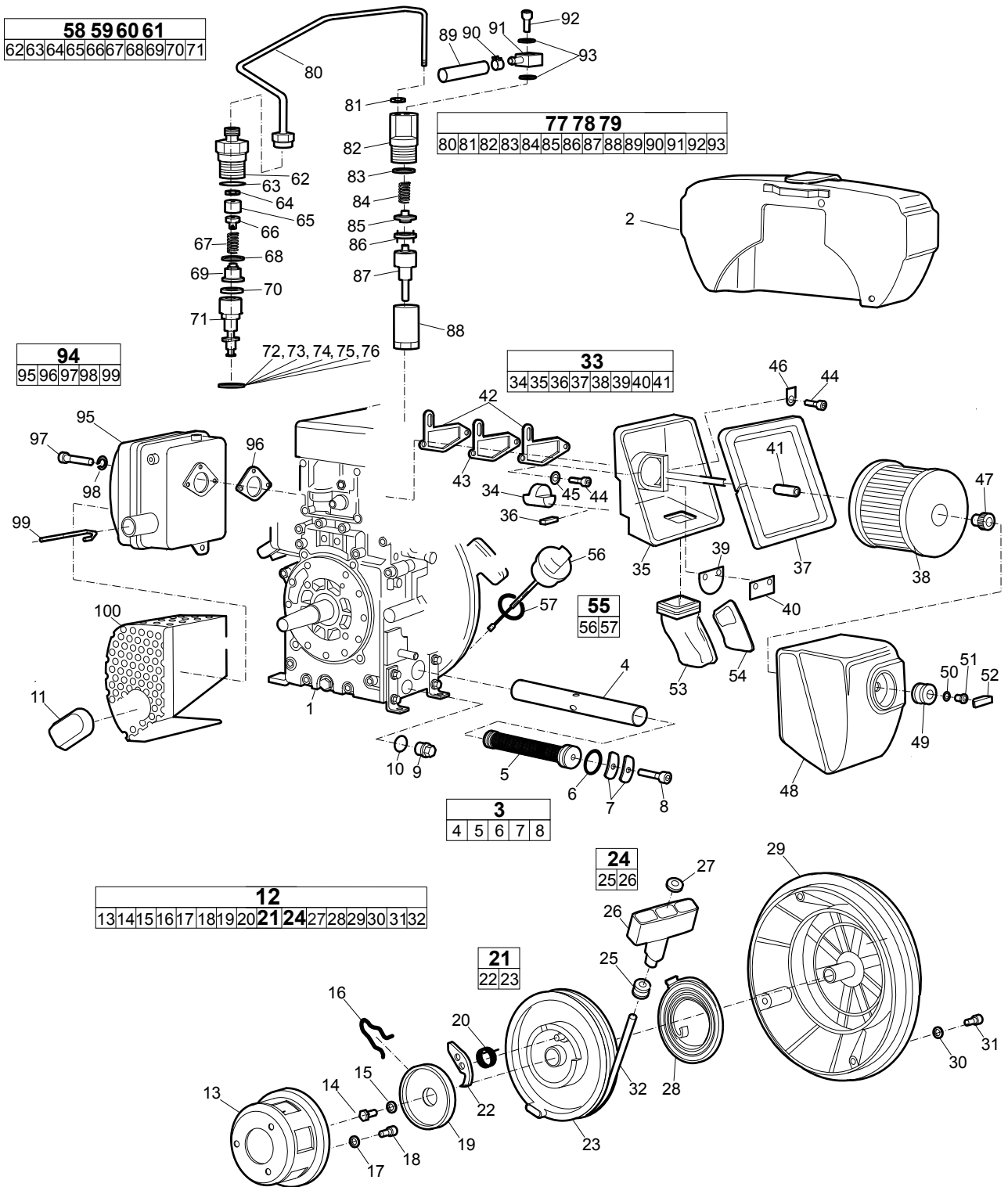
No.	Description	Remark	Quantity	Part number
47	Rope		1	4700 2393 74
48	Spring	Valid from engine serial number 1411006.	1	3382 1001 75

Engine installation, Hatz



No.	Description	Remark	Quantity	Part number
1	Engine, complete	Hatz 1B20	1	4700 3910 58
2	Engine, complete	Hatz 1B20 EPA (US Environmental Protection Agency) version, for US and Canada market.	1	3382 0122 42
3	Washer	8.4 x 26 x 4 mm 0.33 x 1.02 x 0.16 in. 300 HV	1	-
4	Screw	M8 x 25 mm 8.8 A2K	1	-
5	V-belt		1	4700 2812 49
6	V-belt guard		1	3382 0100 73
7	Washer	8.4 x 16 x 3 mm 0.33 x 0.63 x 0.12 in. 300 HV	4	-
8	Screw	M8 x 25 mm 8.8 A2K	4	-
9	Screw	M10 x 40 mm 8.8 A3K	1	-
10	Washer	10.5 x 22 x 4 mm 0.41 x 0.87 x 0.16 in. 300 HV	1	-
11	Belt tightener		1	-
12	Bracket		1	4700 3904 16
13	Screw	M12 x 35 mm 8.8 A3K	2	-
14	Washer	13 x 24 x 2 mm 0.51 x 0.98 x 0.08 in. 300 HV	2	-
15	Screw	M8 x 16 mm 8.8 A2K	8	-
16	Washer	8.4 x 16 x 1.5 mm 0.33 x 0.63 x 0.06 in. 300 HV	8	-
17	Washer	13 x 36 x 6 mm 0.51 x 1.42 x 0.24 in. 300 HV	4	-
18	Lock nut	M12	2	-
19	Screw	M12 x 20 mm 8.8 A3K	1	-
20	Strap		1	3382 0100 21
21	Strap		1	3382 0100 77
22	Clutch		1	4700 3780 33

Engine, Hatz 1B20 manual start

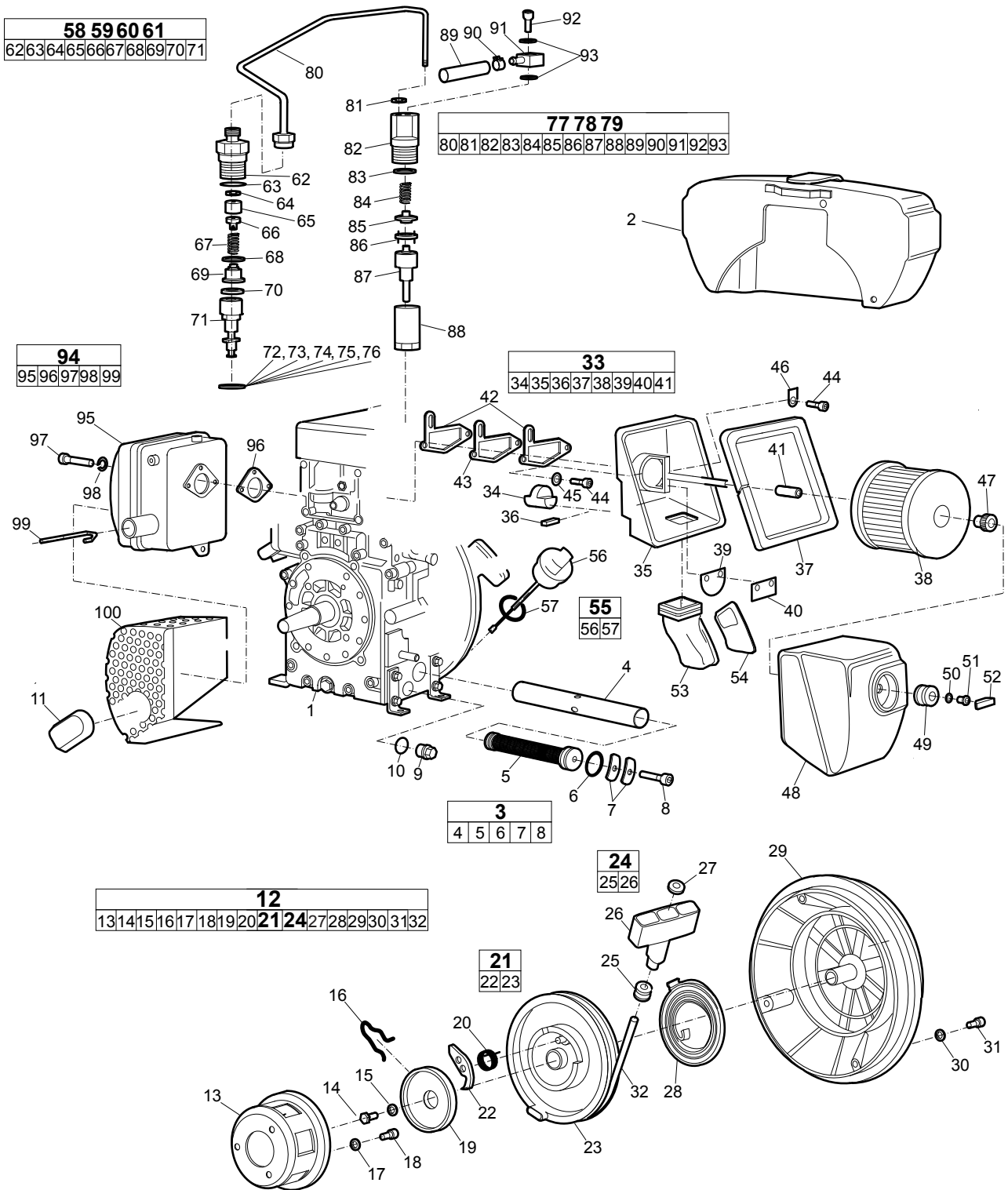


No.	Description	Remark	Quantity	Part number
1	Engine, complete	Hatz 1B20 Consists of items 1 to 100	1	4700 3910 58
2	Fuel tank	See section "Fuel tank"	1	-
3(4-8)	Oil strainer, complete		1	4700 9370 01
4	Tube		1	-
5	Oil strainer		1	-
6	O-ring		1	3382 1001 43
7	Washer		2	3382 1001 44
8	Screw	M6 x 16 mm	1	-
9	Oil drain plug		1	4700 9370 02
10	O-ring		1	4700 7484 79
11	Exhaust pipe		1	4700 9370 04
12(13-20,21,24,27-32)	Recoil starter, complete		1	4700 9369 82
13	Case		1	4700 9369 99
14	Screw	M6 x 18 mm	1	-
15	Washer	M6	1	-
16	Lock spring		1	4700 9369 91
17	Spring washer	M6	1	-
18	Screw	M6 x 10 mm	1	-
19	Reel		1	4700 9369 92
20	Spring		1	4700 9369 96
21(22-23)	Start pulley, complete		1	4700 9369 90
22	Ratchet		1	4700 9369 95
23	Start pulley		1	-
24(25-26)	Handle, complete		1	4700 9369 83
25	Sleeve		1	3382 1001 45
26	Handle		1	-
27	Washer	5.3 mm	1	3382 1001 46
28	Return spring		1	4700 9369 85
29	Housing		1	4700 9369 86
30	Washer	M6	4	-
31	Screw	M6	4	-
32	Starter rope		1	4700 9369 89
33(34-41)	Air filter housing, complete		1	3382 1001 50
34	Plug		1	4700 9370 24
35	Housing		1	-
36	Sealing strip		1	3382 1001 47
37	Sealing strip		1	4700 9408 29
38	Air filter element		1	4700 9370 13
39	Valve plate	Black	1	-
40	Valve plate	Red	1	-
41	Rubber sleeve		1	3382 1001 48
42	Gasket		2	4700 9370 22
43	Insulating flange		1	4700 9370 23
44	Tube		3	-
45	Washer	M8	2	-
46	Washer		1	4700 9370 11
47	Knurled nut	M6	1	4700 9370 14
48	Cover		1	4700 9370 15
49	Rubber sleeve		1	4700 9370 16
50	Shim		1	3382 1001 49
51	Rivet		1	-
52	Wing nut		1	4700 9370 17
53	Rubber insert		1	4700 9370 19

No.	Description	Remark	Quantity	Part number
54	Cover		1	4700 9370 18
55(56-57)	Oil dipstick, complete		1	4700 9376 08
56	Dipstick		1	-
57	O-ring		1	4700 9454 25
58	Injection pump, complete	Valid from engine serial number 10032xxxxxxx Consist of item 62 to 71.	1	3382 1001 53
59	Injection pump, complete	Valid from engine serial number 10031xxxxxxx Consist of item 62 to 71.	1	4700 9506 07
60	Injection pump, complete	Valid from engine serial number 10030xxxxxxx Consist of item 62 to 71.	1	3382 1001 54
61(62-71)	Injection pump, complete	Valid from engine serial number 10029xxxxxxx Consist of item 62 to 71.	1	4700 9387 53
62	Pump part		1	-
63	Pump part		1	-
64	Pump part		1	-
65	Pump part		1	-
66	Pump part		1	-
67	Pump part		1	-
68	Pump part		1	-
69	Pump part		1	-
70	Pump part		1	-
71	Pump part		1	-
72	O-ring	0.2 mm 0.007 in.	1	4700 9369 77
73	O-ring	0.3 mm 0.011 in.	1	4700 9369 78
74	O-ring	0.4 mm 0.016 in.	1	4700 9369 79
75	O-ring	0.5 mm 0.020 in.	1	4700 9369 80
76	O-ring	0.6 mm 0.023 in.	1	4700 9369 81
77	Injector, complete	Valid from engine serial number 10032xxxxxxx Consist of item 80 to 93.	1	3382 1001 55
78	Injector, complete	Valid from engine serial number 10031xxxxxxx Valid from engine serial number 10030xxxxxxx Consist of item 80 to 93.	1	4700 9505 75
79(80-93)	Injector, complete	Valid from engine serial number 10029xxxxxxx	1	4700 9397 62
80	Injector part		1	-
81	Injector part		1	-
82	Injector part		1	-
83	Injector part		1	-
84	Injector part		1	-
85	Injector part		1	-
86	Injector part		1	-
87	Injector part		1	-
88	Injector part		1	-
89	Injector part		1	-
90	Injector part		1	-
91	Injector part		1	-
92	Injector part		1	-

No.	Description	Remark	Quantity	Part number
93	Injector part		1	-
94(95-99)	Silencer, complete		1	4700 9504 23
95	Silencer		1	-
96	Gasket		1	4700 9454 38
97	Screw	M8 x 25 mm	1	-
98	Washer	M8	1	-
99	Hook		1	3382 1001 51
100	Cover		1	3382 1001 52

Engine, Hatz 1B20 manual start, EPA version

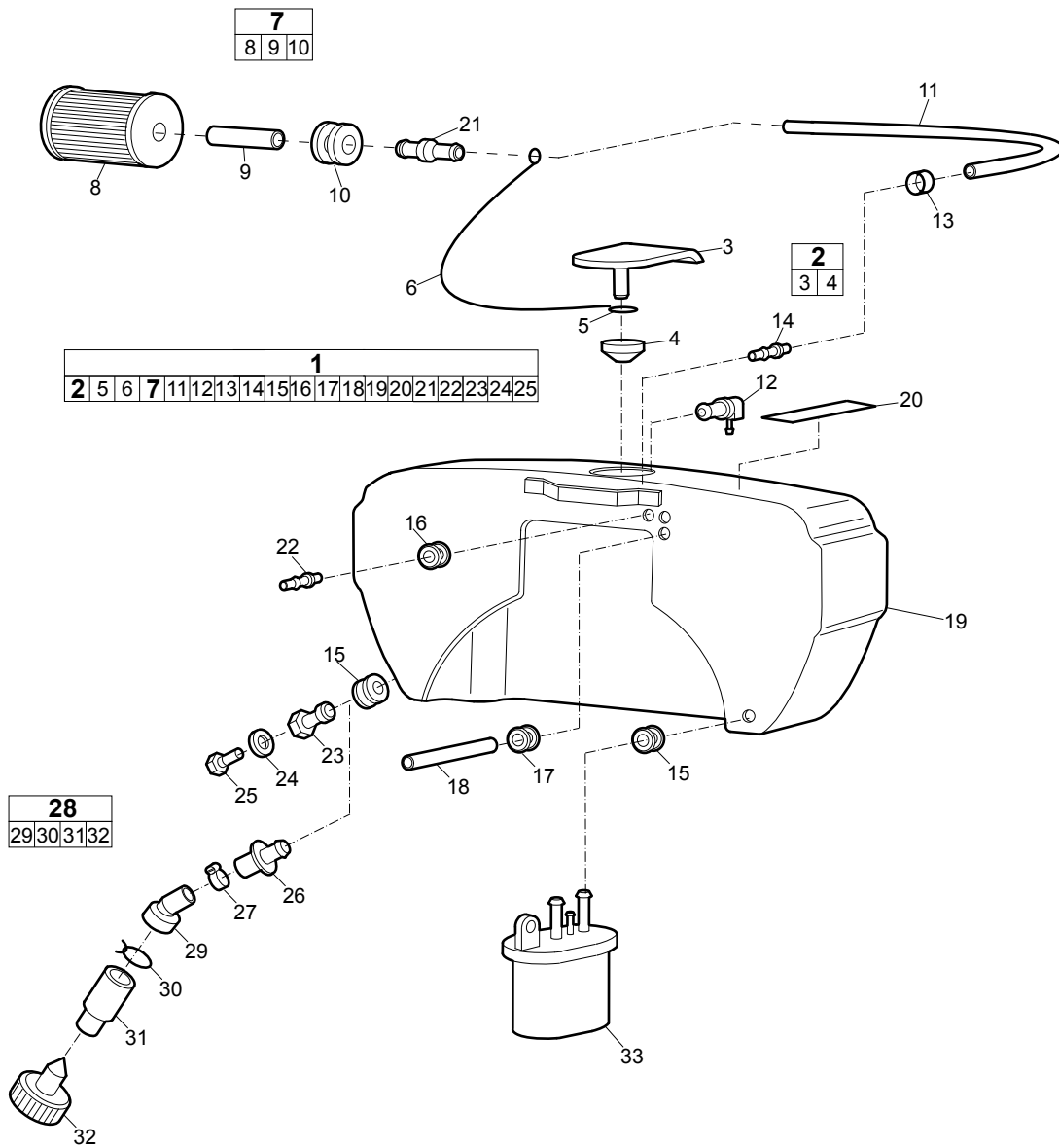


No.	Description	Remark	Quantity	Part number
1	Engine, complete	Hatz 1B20	1	3382 0122 42
2	Fuel tank	See section "Fuel tank"	1	-
3(4-8)	Oil strainer, complete		1	4700 9370 01
4	Tube		1	-
5	Oil strainer		1	-
6	O-ring		1	3382 1001 43
7	Washer		2	3382 1001 44
8	Screw	M6 x 16 mm	1	-
9	Oil drain plug		1	4700 9370 02
10	O-ring		1	4700 7484 79
11	Exhaust pipe		1	4700 9370 04
12(13-20,21,24,27-32)	Recoil starter, complete		1	4700 9369 82
13	Case		1	4700 9369 99
14	Screw	M6 x 18 mm	1	-
15	Washer	M6	1	-
16	Lock spring		1	4700 9369 91
17	Spring washer	M6	1	-
18	Screw	M6 x 10 mm	1	-
19	Reel		1	4700 9369 92
20	Spring		1	4700 9369 96
21(22-23)	Start pulley, complete		1	4700 9369 90
22	Ratchet		1	4700 9369 95
23	Start pulley		1	-
24(25-26)	Handle, complete		1	4700 9369 83
25	Sleeve		1	3382 1001 45
26	Handle		1	-
27	Washer	5.3 mm	1	3382 1001 46
28	Return spring		1	4700 9369 85
29	Housing		1	4700 9369 86
30	Washer	M6	4	-
31	Screw	M6	4	-
32	Starter rope		1	4700 9369 89
33(34-41)	Air filter housing, complete		1	3382 1001 50
34	Plug		1	4700 9370 24
35	Housing		1	-
36	Sealing strip		1	3382 1001 47
37	Sealing strip		1	4700 9408 29
38	Air filter element		1	4700 9370 13
39	Valve plate	Black	1	-
40	Valve plate	Red	1	-
41	Rubber sleeve		1	3382 1001 48
42	Gasket		2	4700 9370 22
43	Insulating flange		1	4700 9370 23
44	Tube		3	-
45	Washer	M8	2	-
46	Washer		1	4700 9370 11
47	Knurled nut	M6	1	4700 9370 14
48	Cover		1	4700 9370 15
49	Rubber sleeve		1	4700 9370 16
50	Shim		1	3382 1001 49
51	Rivet		1	-
52	Wing nut		1	4700 9370 17
53	Rubber insert		1	4700 9370 19

No.	Description	Remark	Quantity	Part number
54	Cover		1	4700 9370 18
55(56-57)	Oil dipstick, complete		1	4700 9376 08
56	Dipstick		1	-
57	O-ring		1	4700 9454 25
58	Injection pump, complete	Valid from engine serial number 10032xxxxxxx Consist of item 62 to 71.	1	3382 1001 53
59	Injection pump, complete	Valid from engine serial number 10031xxxxxxx Consist of item 62 to 71.	1	4700 9506 07
60	Injection pump, complete	Valid from engine serial number 10030xxxxxxx Consist of item 62 to 71.	1	3382 1001 54
61(62-71)	Injection pump, complete	Valid from engine serial number 10029xxxxxxx Consist of item 62 to 71.	1	4700 9387 53
62	Pump part		1	-
63	Pump part		1	-
64	Pump part		1	-
65	Pump part		1	-
66	Pump part		1	-
67	Pump part		1	-
68	Pump part		1	-
69	Pump part		1	-
70	Pump part		1	-
71	Pump part		1	-
72	O-ring	0.2 mm 0.007 in.	1	4700 9369 77
73	O-ring	0.3 mm 0.011 in.	1	4700 9369 78
74	O-ring	0.4 mm 0.016 in.	1	4700 9369 79
75	O-ring	0.5 mm 0.020 in.	1	4700 9369 80
76	O-ring	0.6 mm 0.023 in.	1	4700 9369 81
77	Injector, complete	Valid from engine serial number 10032xxxxxxx Consist of item 80 to 93.	1	3382 1001 55
78	Injector, complete	Valid from engine serial number 10031xxxxxxx Valid from engine serial number 10030xxxxxxx Consist of item 80 to 93.	1	4700 9505 75
79(80-93)	Injector, complete	Valid from engine serial number 10029xxxxxxx	1	4700 9397 62
80	Injector part		1	-
81	Injector part		1	-
82	Injector part		1	-
83	Injector part		1	-
84	Injector part		1	-
85	Injector part		1	-
86	Injector part		1	-
87	Injector part		1	-
88	Injector part		1	-
89	Injector part		1	-
90	Injector part		1	-
91	Injector part		1	-
92	Injector part		1	-

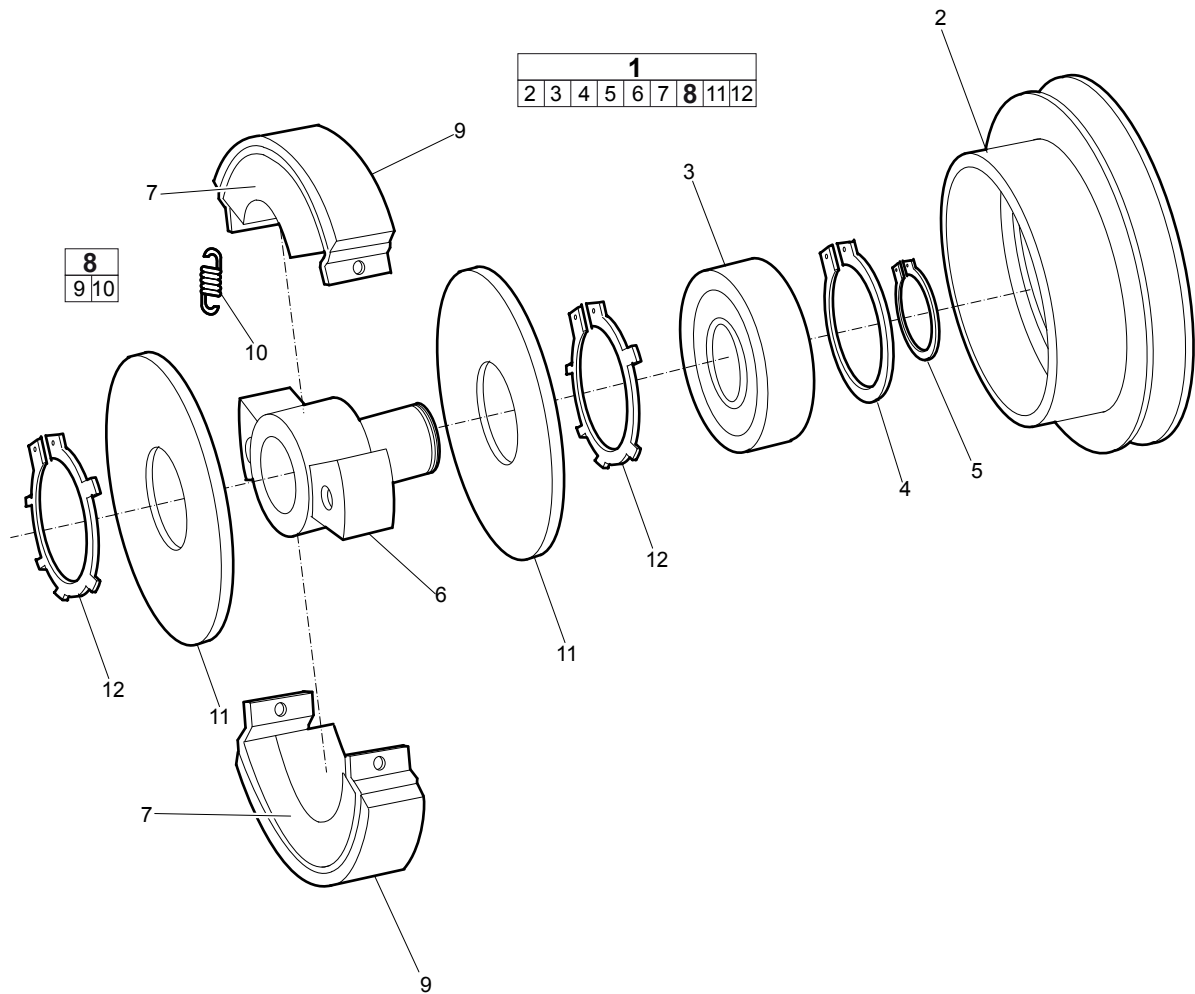
No.	Description	Remark	Quantity	Part number
93	Injector part		1	-
94(95-99)	Silencer, complete		1	4700 9504 23
95	Silencer		1	-
96	Gasket		1	4700 9454 38
97	Screw	M8 x 25 mm	1	-
98	Washer	M8	1	-
99	Hook		1	3382 1001 51
100	Cover		1	3382 1001 52

Fuel tank, Hatz 1B20



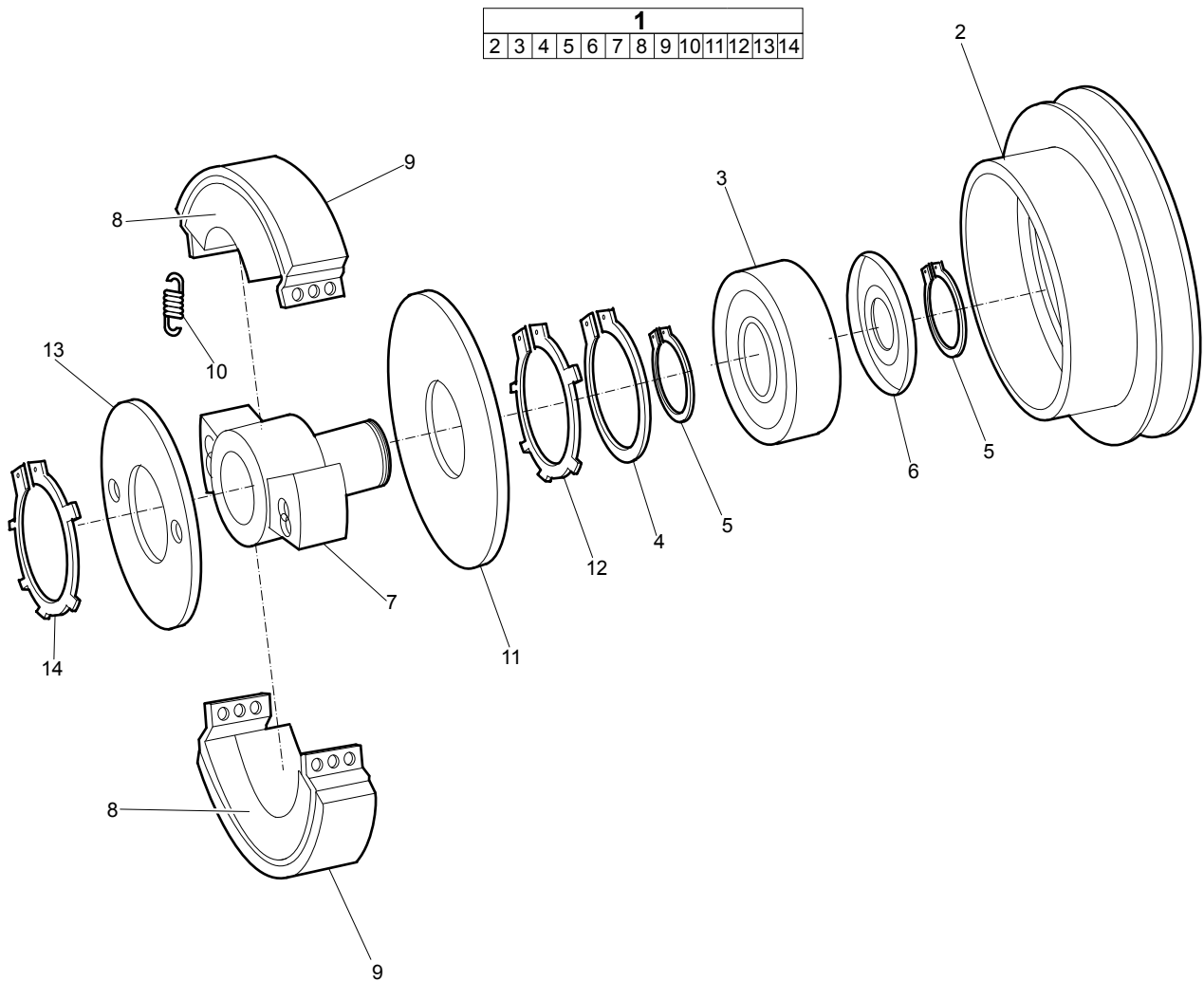
No.	Description	Remark	Quantity	Part number
1(2,5-6,7,11-25)	Fuel tank, complete		1	3382 1001 56
2(3-4)	Fuel cap, complete		1	4700 9369 47
3	Cap		1	-
4	Gasket		1	-
5	Circlip		1	3382 1001 62
6	Rope		1	3382 1001 61
7(8-10)	Fuel filter, complete		1	4700 9396 18
8	Filter element		1	-
9	Pipe		1	-
10	Rubber sleeve		1	4700 9369 62
11	Fuel hose		1	3382 1001 60
12	Ventilating valve		1	4700 9369 52
13	Clamp		1	4700 9369 72
14	Nipple		1	4700 9369 54
15	Rubber sleeve		2	4700 9369 55
16	Rubber sleeve		1	4700 9381 19
17	Rubber sleeve		1	4700 9369 62
18	Pipe		1	4700 9369 63
19	Fuel tank		1	-
20	Label		1	-
21	Nipple		1	4700 9452 26
22	Nipple		1	4700 9454 41
23	Nipple		1	-
24	Joint		1	4700 2383 87
25	Ventilating screw		1	3382 1001 59
26	Nipple		1	3382 1001 58
27	Clamp		1	3382 1001 57
28(29-32)	Water separator, complete		1	4700 9383 39
29	Hose		1	-
30	Hose clip		1	-
31	Water separator		1	-
32	Drain screw		1	-
33	Fuel filter	Not for ordinary maintenance.	1	4700 9404 94

Centrifugal clutch, Honda



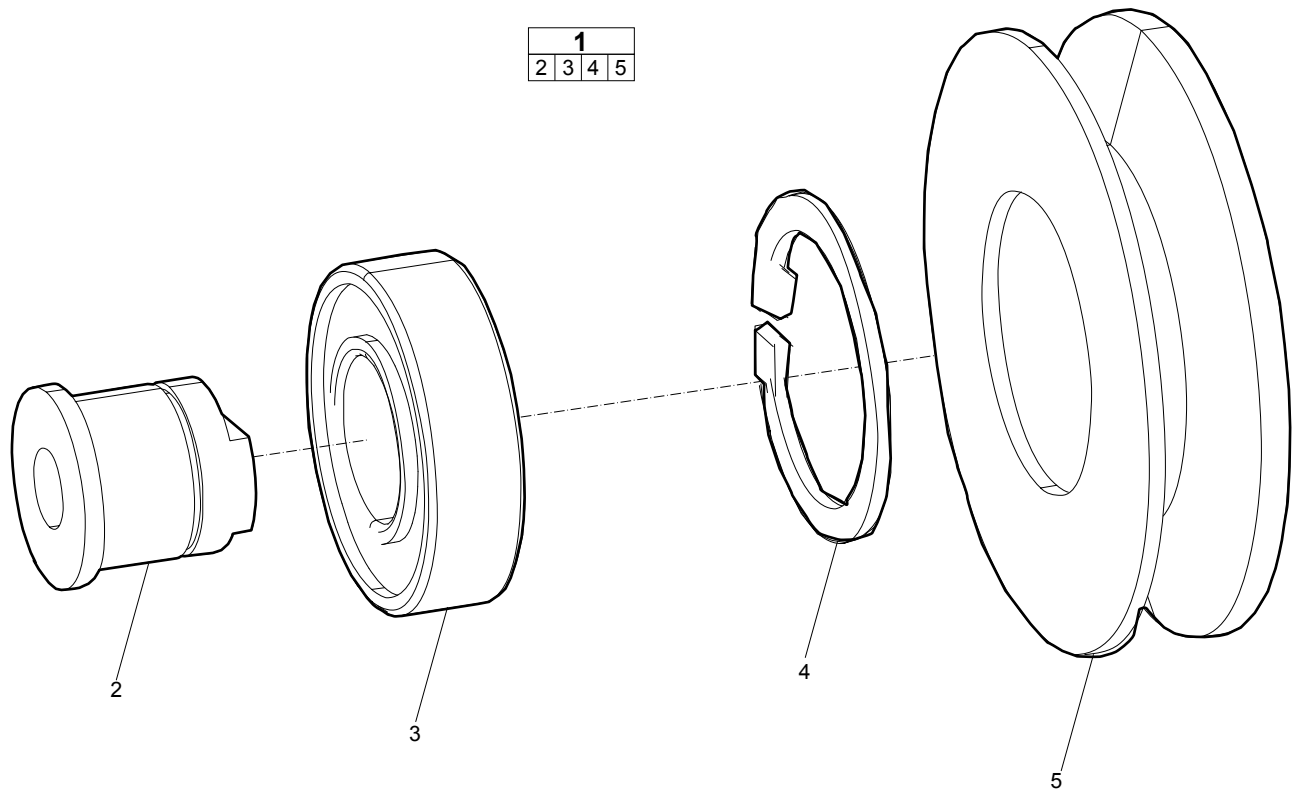
No.	Description	Remark	Quantity	Part number
1(2-7,8,11-12)	Clutch, complete		1	4700 3944 22
2	V-belt pulley		1	4700 9503 51
3	Bearing		1	4700 9370 34
4	Retainer ring		1	4700 9370 35
5	Retainer ring		1	4700 9370 36
6	Hub		1	4700 9387 01
7	Weight		2	4700 2392 90
8(9-10)	Clutch lining, complete		1	4700 9456 16
9	Clutch lining		2	-
10	Spring		2	-
11	Cover		2	4700 2397 68
12	Retainer ring		2	4700 2397 34

Centrifugal clutch, Hatz



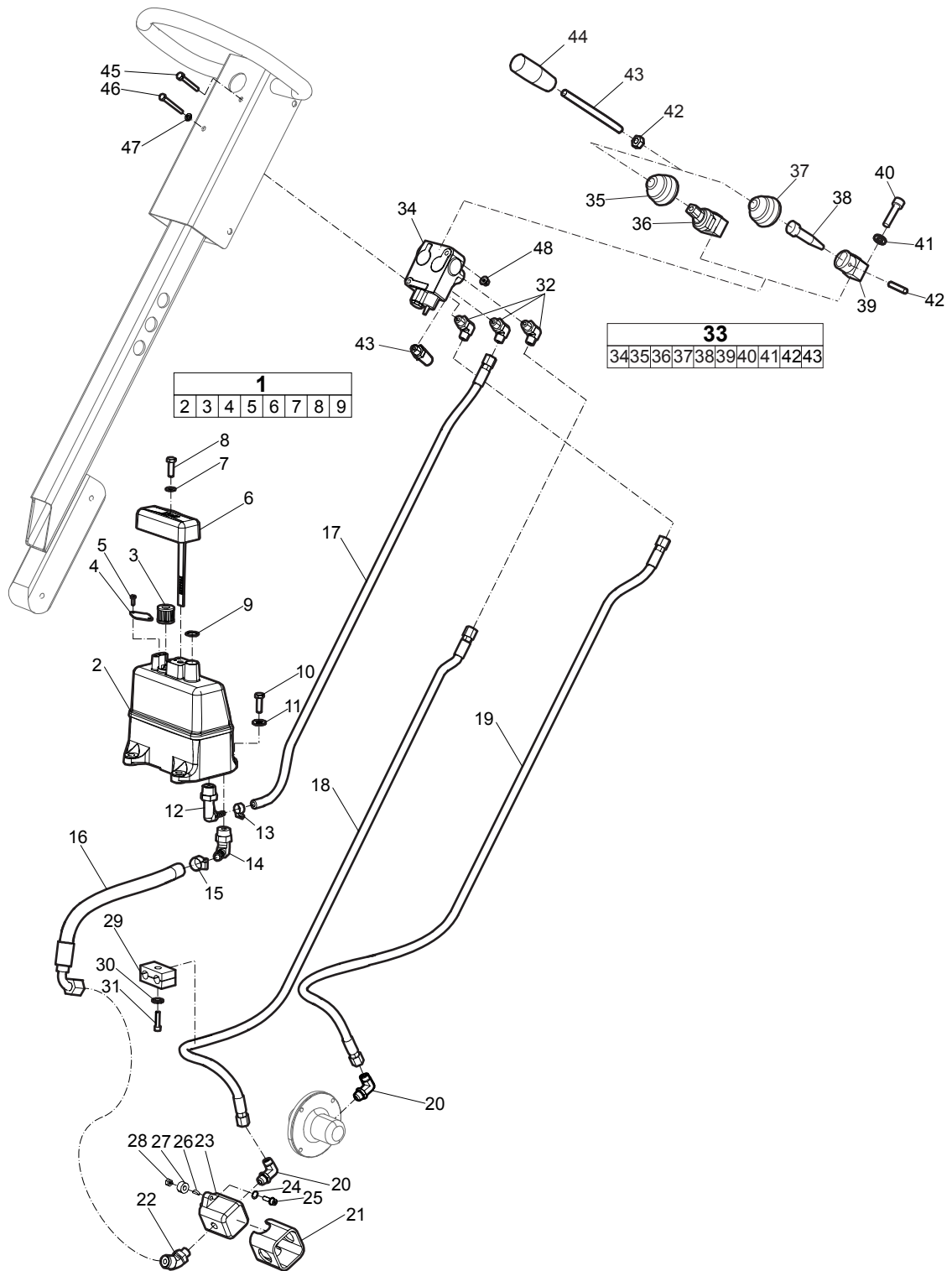
No.	Description	Remark	Quantity	Part number
1(2-14)	Clutch, complete		1	4700 3780 33
2	V-belt pulley		1	4700 9370 29
3	Ball bearing		1	4700 9387 24
4	Retainer ring		1	4700 9387 25
5	Snap ring		2	4700 9387 26
6	Nilos ring		1	4700 1340 36
7	Hub		1	4700 9370 31
8	Clutch weight		2	3382 0101 85
9	Clutch lining		2	4700 9456 12
10	Spring		4	4700 9375 27
11	Cover		1	4700 2398 57
12	Retainer ring		1	4700 9385 32
13	Cover		1	4700 2397 68
14	Retainer ring		1	4700 2397 34

Belt tightener



No.	Description	Remark	Quantity	Part number
1(2-5)	Belt tightener, complete		1	4700 3904 29
2	Shaft		1	4700 3904 15
3	Ball bearing		1	4700 1111 14
4	Snap ring		1	4700 1510 17
5	V-belt pulley		1	4700 2808 36

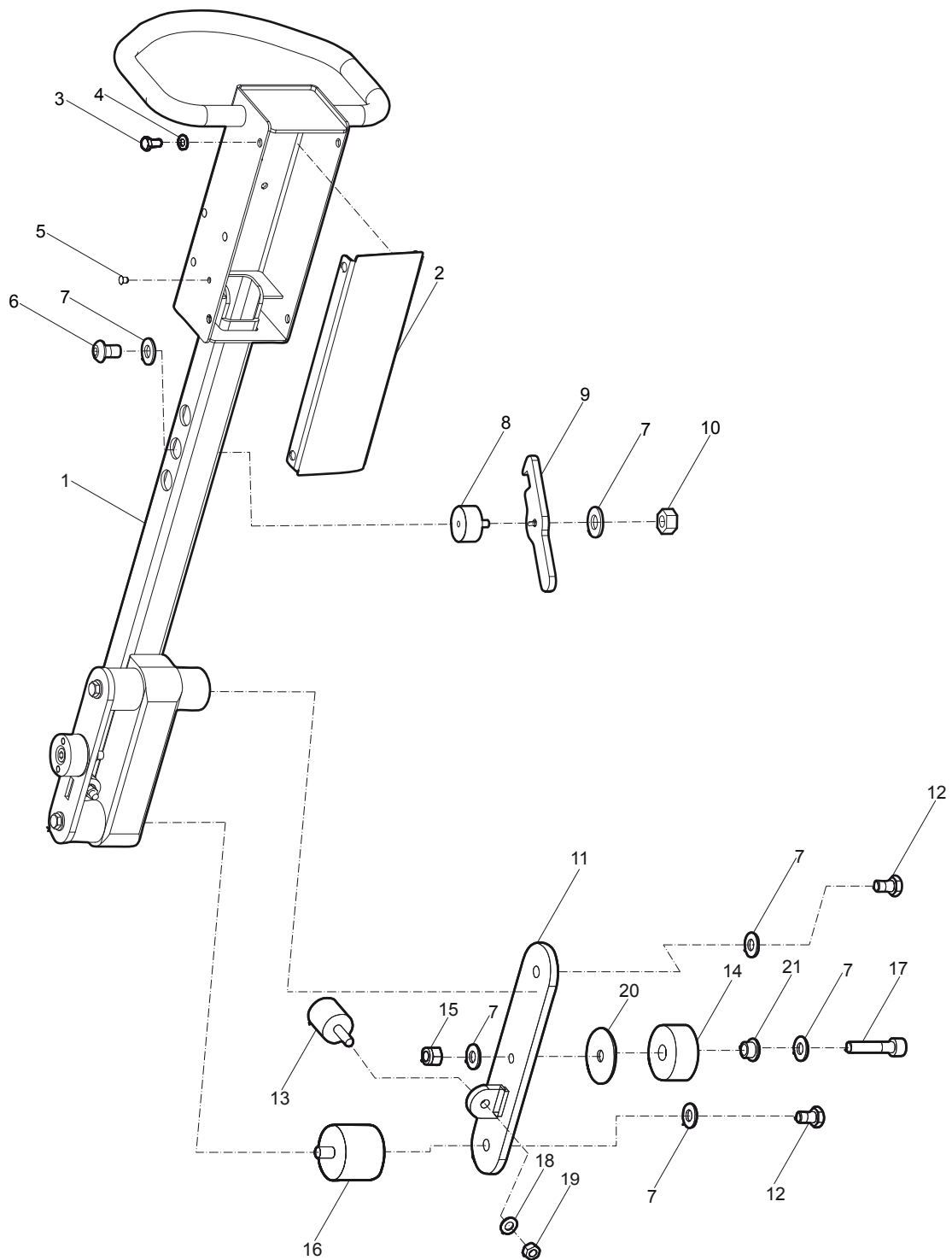
Hydraulic system



No.	Description	Remark	Quantity	Part number
1(2-9)	Hydraulic oil tank, complete		1	4700 3766 77
2	Hydraulic oil tank		1	-
3	Air filter		1	4700 3815 66
4	Holder		1	4700 3815 63
5	Screw	K50 x 12 mm Type KX-PT	2	-
6	Cover		1	4700 3813 85
7	Washer	8.4 x 16 x 1.5 mm 0.33 x 0.63 x 0.06 in. 300 HV	1	-
8	Screw	M8 x 25 mm 8.8 A2K	1	-
9	O-ring	16.3 x 2.4 mm 0.64 x 0.10 in	1	4700 1601 10
10	Screw	M10 x 25 mm 8.8 A3K	4	-
11	Washer	10.5 x 22 x 2 mm 0.41 x 0.87 x 0.08 in. 300 HV	4	-
12	Hose connection		1	4700 9249 96
13	Hose clamp		1	4700 3130 03
14	Adapter		1	4700 3766 74
15	Hose clamp		1	4700 3131 08
16	Hydraulic hose		1	4700 3918 01
17	Hydraulic hose	Connected to port "T"	1	4700 3904 31
18	Hydraulic hose	Connected to port "P"	1	4700 4839 00
19	Hydraulic hose	Connected to port "A"	1	4700 4839 06
20	Elbow	90°	2	4700 7922 72
21	Cover		1	4700 2805 40
22	Elbow		1	4700 7922 53
23	Hydraulic pump		1	4700 3835 62
24	Washer	6.4 x 12 x 1.5 mm 0.25 x 0.47 x 0.06 in. 300 HV	2	-
25	Screw	M6 x 20 mm 8.8 A2K	2	-
26	Key	Supplied with hydraulic pump	1	-
27	Sleeve		1	4700 9288 94
28	Nut	Supplied with hydraulic pump	1	-
29	Pipe clamp block		1	4700 7922 73
30	Washer	6.4 x 12 x 1.5 mm 0.25 x 0.47 x 0.06 in. 300 HV	1	-
31	Screw	M6 x 25 mm 8.8 A2K	1	-
32	Elbow	90°	3	4700 7913 97
33(34-43)	Hydraulic valve, complete		1	4700 2829 93
34	Valve body		1	-
35	Rubber cover	Old version.	1	4700 9365 95
36	Housing	Old version.	1	4700 9379 24
37	Rubber cover	New version For valve, complete marked with "Caproni".	1	3382 1002 71
38	Lever	New version For valve, complete marked with "Caproni".	1	3382 1002 70
39	Housing	New version For valve, complete marked with "Caproni".	1	3382 1002 68
40	Screw	New version For valve, complete marked with "Caproni".	2	3382 1002 72
41	Washer	New version For valve, complete marked with "Caproni".	4	3382 1002 73
42	Pin	New version For valve, complete marked with "Caproni".	1	3382 1002 69
42	Nut	M8 A2K	1	4700 5700 05
43	Measuring nipple	New version For valve, complete marked with "Caproni".	1	3382 1002 88
43	Rod		1	4700 3904 50

No.	Description	Remark	Quantity	Part number
42	Pin	New version For valve, complete marked with "Caproni".	1	3382 1002 69
42	Nut	M8 A2K	1	4700 5700 05
43	Measuring nipple	New version For valve, complete marked with "Caproni".	1	3382 1002 88
43	Rod		1	4700 3904 50
44	Grab handle		1	4700 9038 21
45	Screw	M6 x 50 mm 8.8 A2K	1	-
46	Screw	M6 x 55 mm 8.8 A2K	1	-
47	Washer	6.4 x 12 x 1.5 mm 0.25 x 0.47 x 0.06 in. 300 HV	2	-
48	Lock nut	M6 x 1 mm A2K	2	-

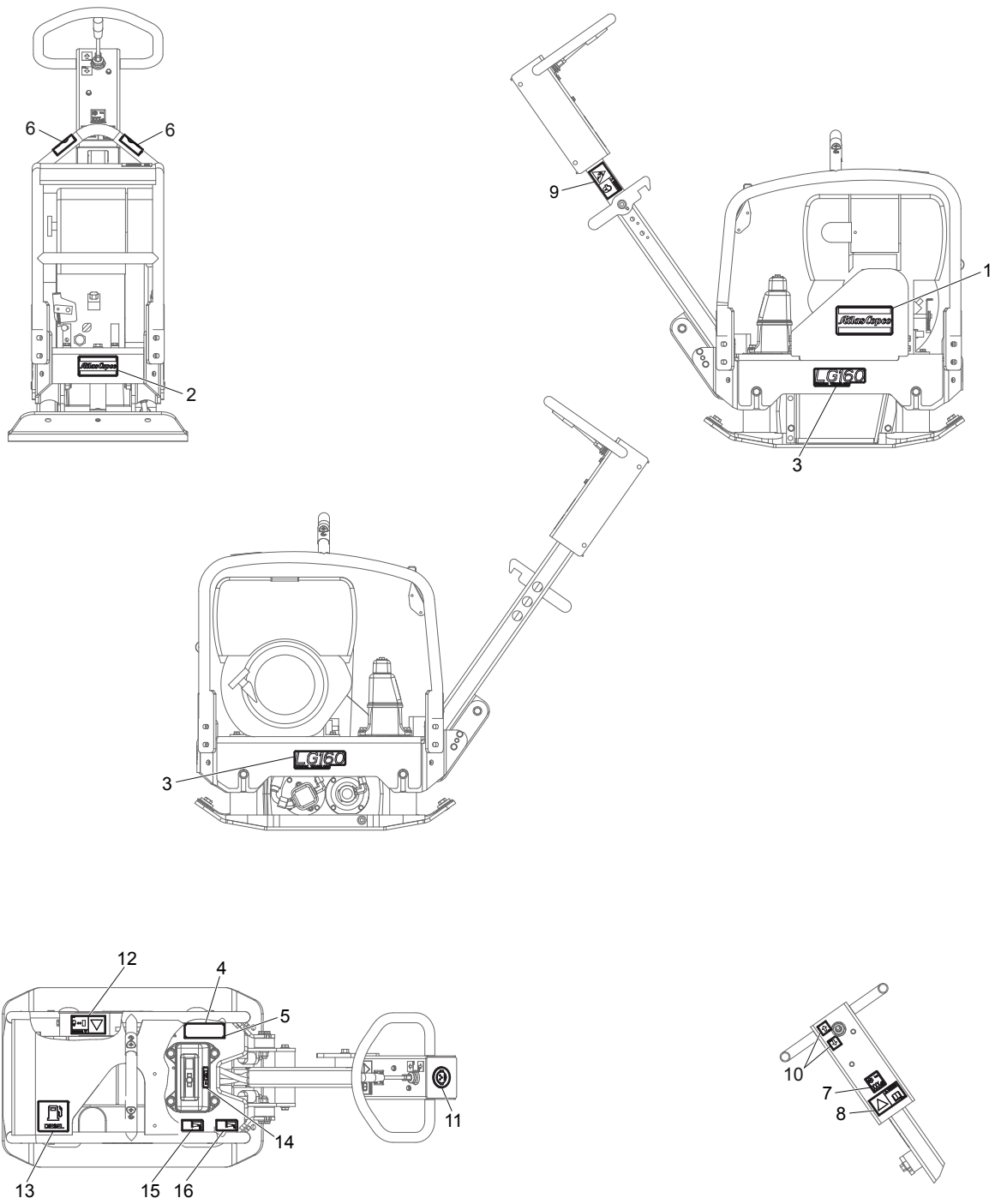
Handle



No.	Description	Remark	Quantity	Part number
1	Handle		1	3382 0100 76
2	Cover		1	4700 3904 49
3	Washer	8.4 x 16 x 1.5 mm 0.33 x 0.63 x 0.06 in. 300 HV	4	-
4	Screw	M8 x 16 mm 8.8 A2K	4	-
5	Protective plug		2	4700 9262 15
6	Screw	M10 x 16 mm A2-70	1	-
7	Washer	10.5 x 22 x 2 mm 0.41 x 0.87 x 0.08 in. 300 HV	10	-
8	Shock absorber		1	4700 3853 87
9	Hook		1	4700 3824 96
10	Nut	M10 A3K	1	-
11	Bracket		2	4700 3904 48
12	Screw	M10 x 20 mm 8.8 A3K	4	-
13	Shock absorber		2	4700 7923 78
14	Spacer		2	4700 3915 58
15	Lock nut	M10	2	-
16	Shock absorber		4	4700 7923 77
17	Screw	M10 x 40 mm 12.9 GEOMET®	2	-
18	Washer	8.4 x 16 x 1.5 mm 0.33 x 0.63 x 0.06 in. 300 HV	2	-
19	Nut	M8 A2K	2	-
20	Plastic washer		2	4700 7923 79
21	Plastic bushing		2	4700 7923 80

GEOMET is a registered trademark of Nof Metal Coatings North America Inc.

Labels



No.	Description	Remark	Quantity	Part number
1	Product label	"Atlas Copco"	1	3382 0100 78
2	Product label	"Atlas Copco"	1	3382 0100 79
3	Product label	"LG 160"	2	3382 0100 80
4	Data plate		1	-
5	Drive screw	2 x 5 mm KDS	4	-
6	Label	Lifting point	2	4700 3575 87
7	Noise level label		1	4700 7912 96
8	Safety label	Read the Safety and operating instructions	1	4700 9046 80
9	Safety label	Lock handle	1	4700 7913 66
10	Label	Direction	2	4700 2842 78
11	Label	Ear protection	1	4700 2818 98
12	Safety label	Rotating V-belts	1	4700 9038 32
13	Label	Diesel fuel	1	4700 9916 58
14	Label	Hydraulic oil level	1	4700 2723 73
15	Label	Throttle indication, Honda	1	4700 3858 78
16	Label	Throttle indication, Hatz	1	4700 3858 77

Kits

One year service kit, Honda

Part number 3382 1000 24

Description	Remark	Quantity	Part number
Air filter		5	4700 2393 23
Gasket	For oil dipstick.	1	4700 2383 03
Starting rope		1	4700 2393 74
Spark plug		1	3382 1001 67
V-belt	See section "Engine installation".	1	4700 2813 45
Gasket	For valve cover.	1	4700 2383 01

One year service kit, Hatz

Part number 3382 1000 23

Description	Remark	Quantity	Part number
Air filter		5	4700 9370 13
Fuel filter		5	4700 9396 18
Gasket	For oil drain plug.	1	4700 9370 03
Starting rope		1	4700 9369 89
V-belt	See section "Engine installation".	1	4700 2812 49
Gasket	For valve cover.	1	4700 9397 68

Shock absorber repair kit

Description	Remark	Quantity	Part number
Shock absorber repair kit		1	3382 1000 29
Shock absorber	For ground plate. See section "Ground plate and eccentric element installation".	4	4700 3902 36
Screw	M10 x 20 mm 8.8 A3K See section "Engine plate and ground plate".	4	-
Washer	10.5 x 22 x 4 mm 0.41 x 0.87 x 0.16 in. 300 HV See section "Engine plate and ground plate".	4	-
Washer	13 x 24 x 2 mm 0.51 x 0.94 x 0.08 in. 300 HV See section "Ground plate and eccentric element installation".	4	-
Nut	M12 A3K See section "Ground plate and eccentric element installation".	4	-
Shock absorber	For handle. See section "Handle".	4	4700 7923 77
Washer	10.5 x 22 x 2 mm 0.41 x 0.87 x 0.08 in. 300 HV See section "Handle".	5	-
Screw	M10 x 20 mm 8.8 A3K See section "Handle".	4	-
Shock absorber	For handle See section "Handle".	2	4700 7923 78
Washer	8.4 x 16 x 1.5 mm 0.33 x 0.63 x 0.06 in. 300 HV See section "Handle".	2	-
Nut	M8 A2K See section "Handle".	2	-
Shock absorber	For hook. See section "Handle".	1	4700 3853 87
Nut	M10 A3K See section "Handle".	1	-

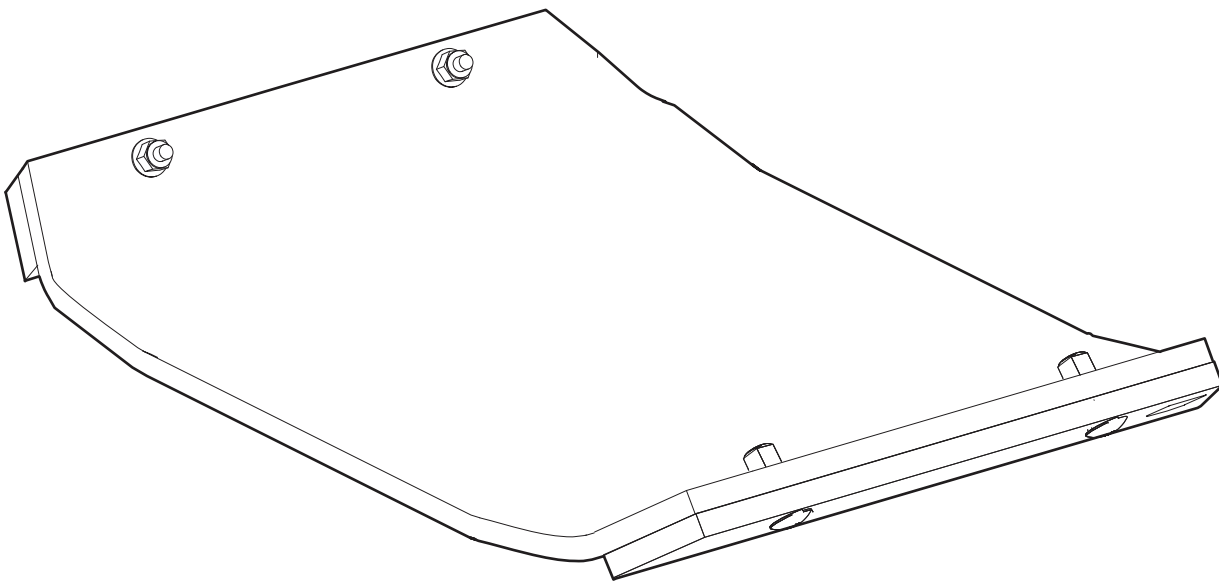
Eccentric element repair kit

Description	Remark	Quantity	Part number
Eccentric element repair kit		1	3382 1000 36
Ball bearing	See section "Eccentric element".	4	4700 9033 63
Sealing	See section "Eccentric element".	1	4700 9287 94
Ball bearing	See section "Eccentric element".	2	4700 9292 87
Retainer ring	See section "Eccentric element".	1	4700 1510 07
Washer	6.4 x 12 x 1.5 mm 0.25 x 0.47 x 0.06 in. 300 HV See section "Eccentric element".	16	-
Screw	M6 x 20 mm 8.8 A2K See section "Eccentric element".	16	-
Sealing compound	See section "Eccentric element".	1	4700 9299 06
Copper washer	16.7 x 24 x 1.5 mm 0.66 x 0.94 x 0.06 in. TYPE A, M16 See section "Eccentric element".	1	-

Forward and reverse piston repair kit

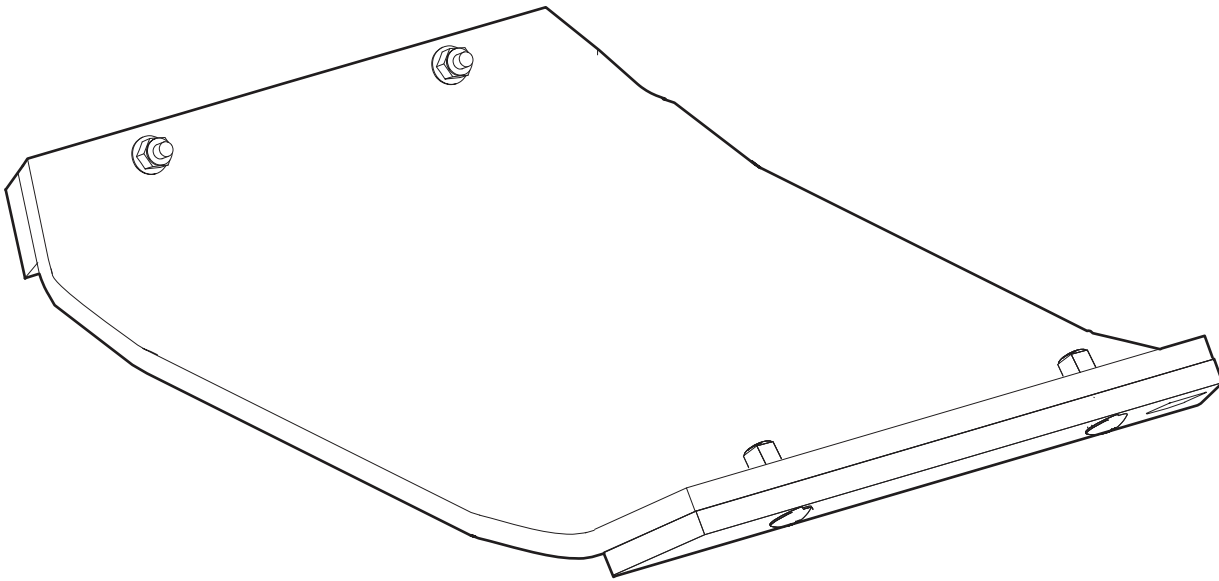
Description	Remark	Quantity	Part number
Forward and reverse piston repair kit		1	3382 1000 34
Sealing	See section "Eccentric element".	1	4700 2812 76
Piston rod	See section "Eccentric element".	1	4812 0700 51
Retainer ring	See section "Eccentric element".	1	4700 1510 39
Ball bearing	See section "Eccentric element".	1	4812 0703 59
Retainer ring	See section "Eccentric element".	1	4700 1500 02
Ball bearing	See section "Eccentric element".	1	4812 0703 62
Spring washer	See section "Eccentric element".	1	4812 0703 63
Cylinder	See section "Eccentric element".	1	4812 0700 50
Spirol pin	See section "Eccentric element".	1	4700 6290 62
Washer	6.4 x 12 x 1.5 mm 0.25 x 0.47 x 0.06 in. 300 HVSee section "Eccentric element".	4	-
Screw	M6 x 20 mm 8.8 A2K See section "Eccentric element".	4	-

Block paving plate kit 330 mm (12.9 in.)



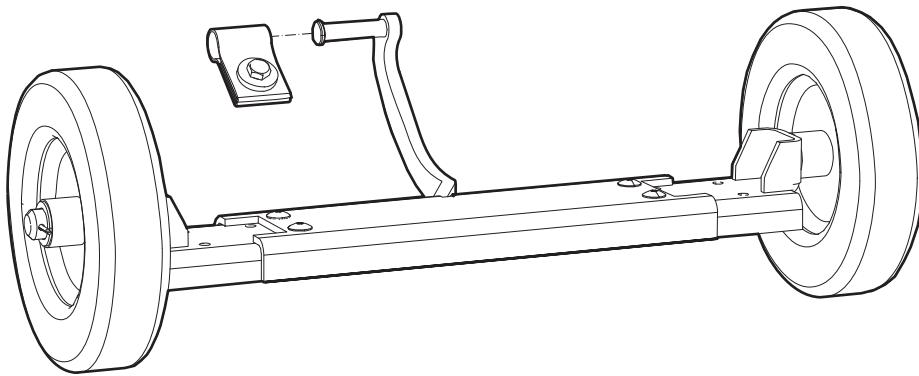
Description	Remark	Quantity	Part number
Block paving plate kit		1	4700 3944 61
Polyurethane plate	330 mm 12.9 in.	1	-
Bracket		2	-
Nut	M10 x 1.5 mm A3K	4	-
Screw	M10 x 45 mm 4.6 A3K	4	-

Block paving plate kit 450 mm (17.7 in.)



Description	Remark	Quantity	Part number
Block paving plate kit		1	4700 3944 63
Polyurethane plate	450 mm 17.7 in.	1	-
Bracket		2	-
Nut	M10 x 1.5 mm A3K	4	-
Screw	M10 x 45 mm 4.6 A3K	4	-

Transport device kit



Description	Remark	Quantity	Part number
Transport device kit		1	4700 3949 69
Transport device		1	-
Strap		1	-
Washer	13 x 36 x 6 mm 0.51 x 1.42 x 0.24 in. 300 HV	1	-
Screw	M12 x 25 mm 8.8 A3K	1	-
Screw	M8 x 30 mm 8.8	4	-
Wheel shaft		2	-
Washer		4	-
Wheel		2	-
Split pin		2	-
Washer	8.4 x 22 x 3 mm 0.33 x 0.87 x 0.12 in. 300 HV	4	-
Nut	M8 A2K	4	-



Any unauthorized use or copying of the contents or any part thereof is prohibited.
This applies in particular to trademarks, model denominations, part numbers, and drawings.

© 2014 Atlas Copco Construction Tools AB | No. 9800 1104 01e | 2014-02-21